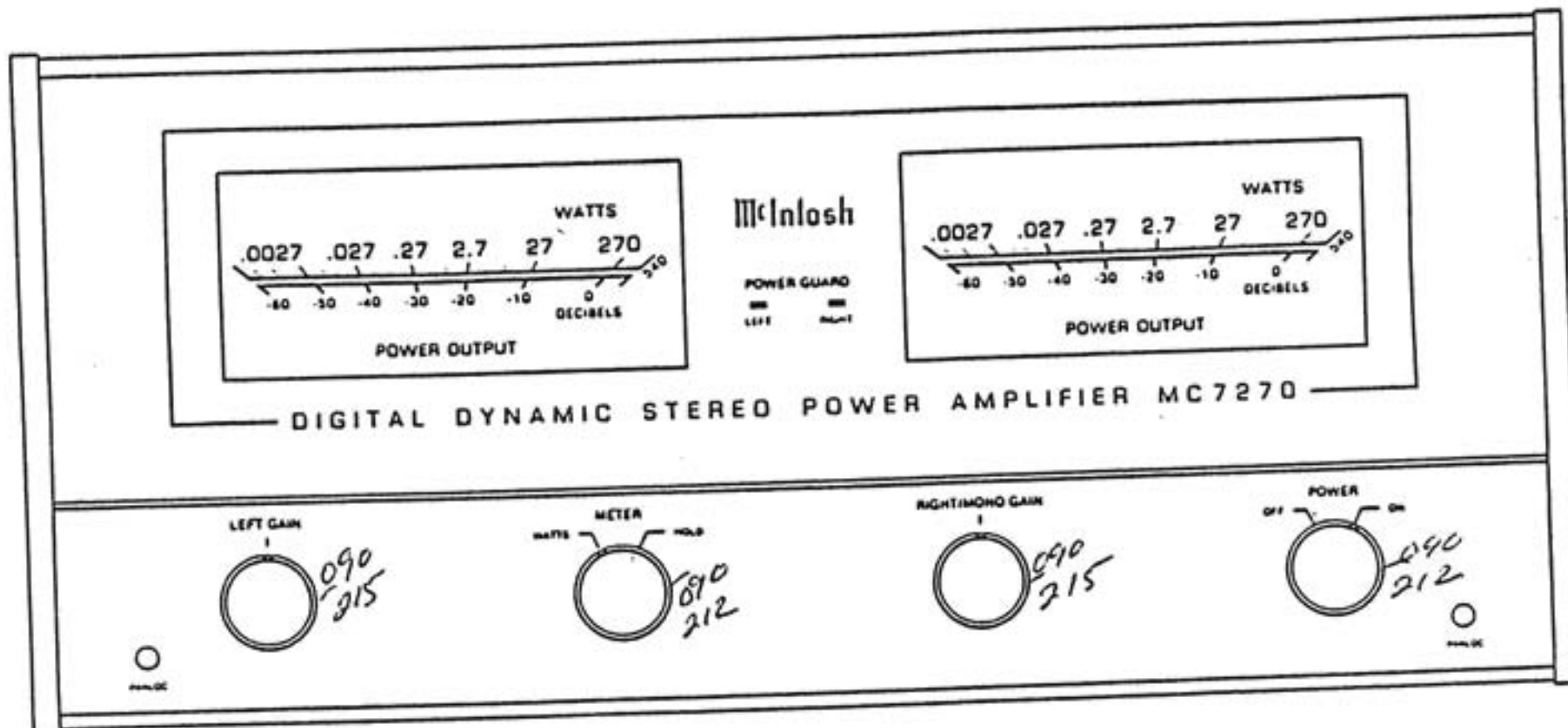


MC 7270

POWER AMPLIFIER



CONTENTS

Performance Specifications	2
Notes	2
Mechanical Views	3-4
Front Panel and Trim Parts List	4
Installation Parts List	4
Block Diagram	5
Section Locations	6
Section 1 — Interconnection Diagram	7-9
Section 2A — Amplifier (serial no. EA1001 to EA3499)	10-15
Section 2B — Amplifier (serial no. EA3500 and above)	16-21
Section 3 — Meter Drive and Illumination	22-24
Section 4A — Power Supply and Power Guard (serial no. EA1001 to EA1499)	24-26
Section 4B — Power Supply and Power Guard (serial no. EA1500 and above)	27-29
Alignment Procedure	30
Repacking Instructions	31

POWER OUTPUT STEREO

270 watts minimum sine wave continuous average power output, per channel, both channels operating into 1 ohm, 2 ohms, 4 ohms, or 8 ohms load impedance, which is:

- 16.4 volts RMS across 1 ohm
- 23.2 volts RMS across 2 ohms
- 32.9 volts RMS across 4 ohms
- 46.5 volts RMS across 8 ohms

MONO-BRIDGE

540 watts minimum sine wave continuous average power output into 2 ohms, 4 ohms, 8 ohms, or 16 ohms load impedance, which is:

- 32.9 volts RMS across 2 ohms
- 46.5 volts RMS across 4 ohms
- 65.7 volts RMS across 8 ohms
- 93.0 volts RMS across 16 ohms

OUTPUT LOAD IMPEDANCE STEREO

1 ohm, 2 ohms, 4 ohms, and 8 ohms; separate terminals are provided for each output.

MONO-BRIDGED —

2 ohms, 4 ohms, 8 ohms, or 16 ohms, balanced to ground.

RATED POWER BAND 20 Hz to 20,000 Hz

TOTAL HARMONIC DISTORTION STEREO

0.02% maximum harmonic distortion at any power level from 250 milliwatts to 270 watts per channel from 20 Hz to 20,000 Hz, both channels operating.

MONO

0.02% maximum harmonic distortion at any power level from 250 milliwatts to 540 watts from 20 Hz to 20,000 Hz.

MONO

0.02% maximum if instantaneous peak power output is 600 watts or less for any combination of frequencies, 20 Hz to 20,000 Hz.

FREQUENCY RESPONSE (AT ONE WATT OUTPUT)

- 20 Hz to 20,000 Hz +0 - 0.25 dB.
- 10 Hz to 100,000 Hz +0 - 2 dB.

Ratings

DAMPING FACTOR

Greater than 30

INPUT IMPEDANCE

20,000 ohms.

INPUT SENSITIVITY

Switchable: 0.75 volt or 2.5 volts—level control provided for higher input voltages.

POWER GUARD

Clipping is prevented and THD does not exceed 2% with up to 20 dB overdrive at 1 kHz.

General Information

SEMICONDUCTOR COMPLEMENT

- 79 silicon transistors
- 31 silicon rectifiers and diodes
- 7 integrated circuit

WEIGHT

82 pounds (37.2 kg) net, 96 pounds (43.5 kg) in shipping carton.

Notes

1. Unless otherwise noted, all voltages indicated on the following schematics are measured under the following conditions:
 - a. AC input at 120 volts, 50/60Hz.
 - b. All voltages are $\pm 10\%$ with respect to ground. A high impedance (10 megohm) voltmeter must be used.
 - c. Front panel controls set at
POWER ON
 - d. Rear panel controls set at
MODE STEREO
INPUT LEVEL 2.5V

- e. The voltages enclosed in a box (Sections 2 and 3) are signal voltages that are measured with a 2.5V, 1kHz signal connected to both channels of the INPUT jacks.
2. The heavy lines on the schematics denote the primary signal paths.
3. Unless otherwise specified:
 - a. Resistor values are in ohms.
 - b. Capacitor values smaller than 1 are microfarads (μF), and capacitor values greater than 1 are in picofarads (pF).
 - c. Inductor values are in microhenries (μH).

Performance Specifications

POWER OUTPUT

STEREO

270 watts minimum sine wave continuous average power output, per channel, both channels operating into 1 ohm, 2 ohms, 4 ohms, or 8 ohms load impedance, which is:

- 16.4 volts RMS across 1 ohm
- 23.2 volts RMS across 2 ohms
- 32.9 volts RMS across 4 ohms
- 46.5 volts RMS across 8 ohms

MONO-BRIDGE

540 watts minimum sine wave continuous average power output into 2 ohms, 4 ohms, 8 ohms, or 16 ohms load impedance, which is:

- 32.9 volts RMS across 2 ohms
- 46.5 volts RMS across 4 ohms
- 65.7 volts RMS across 8 ohms
- 93.0 volts RMS across 16 ohms

OUTPUT LOAD IMPEDANCE

STEREO

1 ohm, 2 ohms, 4 ohms, and 8 ohms; separate terminals are provided for each output.

MONO-BRIDGED —

2 ohms, 4 ohms, 8 ohms, or 16 ohms, balanced to ground.

RATED POWER BAND

20 Hz to 20,000 Hz

TOTAL HARMONIC DISTORTION

STEREO

0.02% maximum harmonic distortion at any power level from 250 milliwatts to 270 watts per channel from 20 Hz to 20,000 Hz, both channels operating.

MONO

0.02% maximum harmonic distortion at any power level from 250 milliwatts to 540 watts from 20 Hz to 20,000 Hz.

INTERMODULATION DISTORTION

STEREO

0.02% maximum if instantaneous peak power output is 600 watts or less per channel with both channels operating for any combination of frequencies, 20 Hz to 20,000 Hz.

MONO

0.02% maximum if instantaneous peak power output is 600 watts or less for any combination of frequencies, 20 Hz to 20,000 Hz.

FREQUENCY RESPONSE (AT ONE WATT OUTPUT)

20 Hz to 20,000 Hz +0 - 0.25 dB.

10 Hz to 100,000 Hz +0 - 2 dB.

Ratings

DAMPING FACTOR

Greater than 30

INPUT IMPEDANCE

20,000 ohms.

INPUT SENSITIVITY

Switchable: 0.75 volt or 2.5 volts—level control provided for higher input voltages.

POWER GUARD

Clipping is prevented and THD does not exceed 2% with up to 20 dB overdrive a 1 kHz.

General Information

SEMICONDUCTOR COMPLEMENT

79 silicon transistors

31 silicon rectifiers and diodes

7 integrated circuit

WEIGHT

82 pounds (37.2 kg) net, 96 pounds (43.5 kg) in shipping carton.

Notes

1. Unless otherwise noted, all voltages indicated on the following schematics are measured under the following conditions:
 - a. AC input at 120 volts, 50/60Hz.
 - b. All voltages are $\pm 10\%$ with respect to ground. A high impedance (10 megohm) voltmeter must be used.
 - c. Front panel controls set at
POWER ON
 - d. Rear panel controls set at
MODE STEREO
INPUT LEVEL 2.5V

- e. The voltages enclosed in a box (Sections 2 and 3) are signal voltages that are measured with a 2.5V, 1kHz signal connected to both channels of the INPUT jacks.
2. The heavy lines on the schematics denote the primary signal paths.
3. Unless otherwise specified:
 - a. Resistor values are in ohms.
 - b. Capacitor values smaller than 1 are microfarads (μF), and capacitor values greater than 1 are in picofarads (pF).
 - c. Inductor values are in microhenries (μH).

Mechanical Views

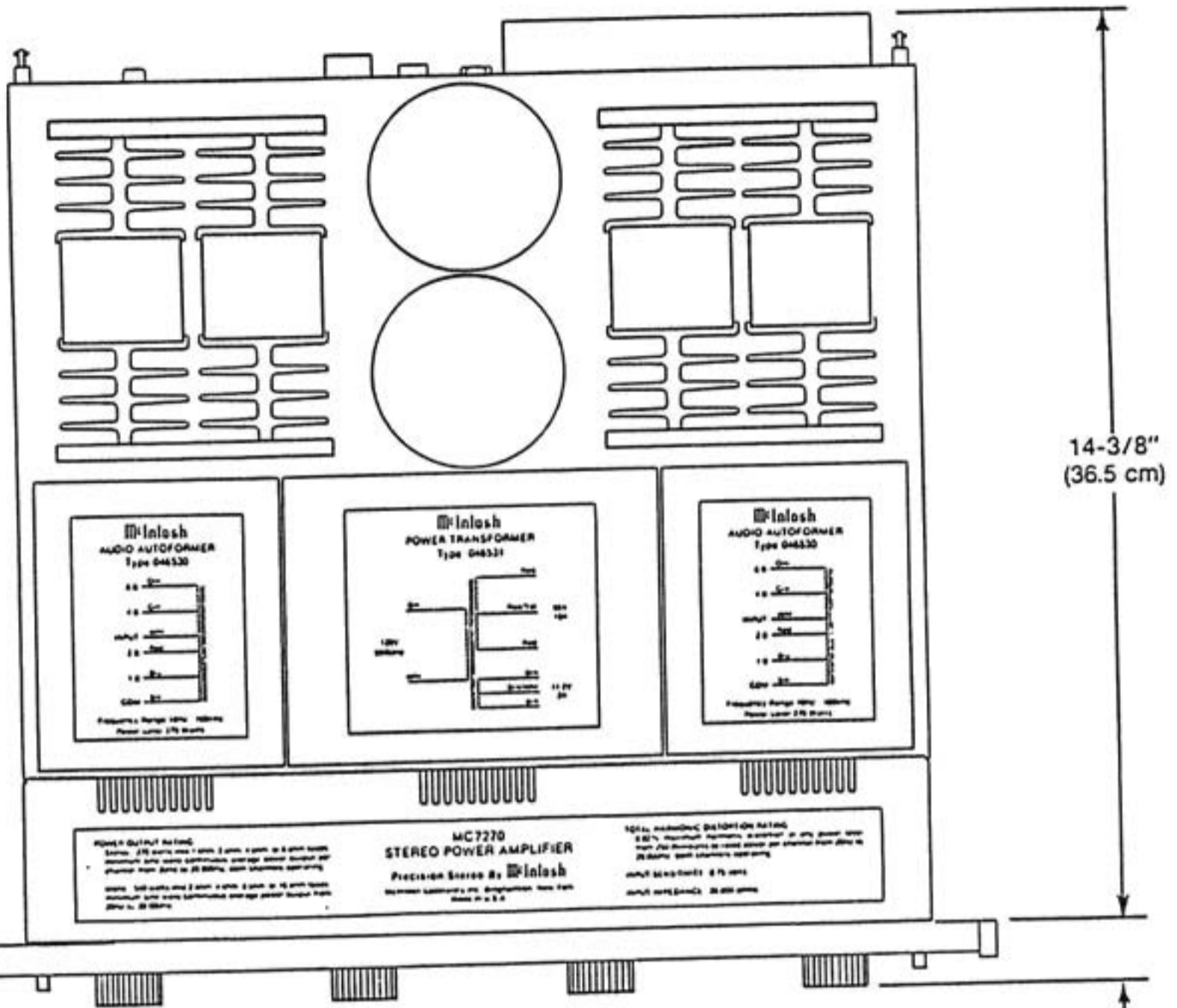


Fig. 1. Top view

1-1/8" (2.9 cm)

14-3/8"
(36.5 cm)

16-1/8"
(41 cm)

7-1/8"
(18.1 cm)

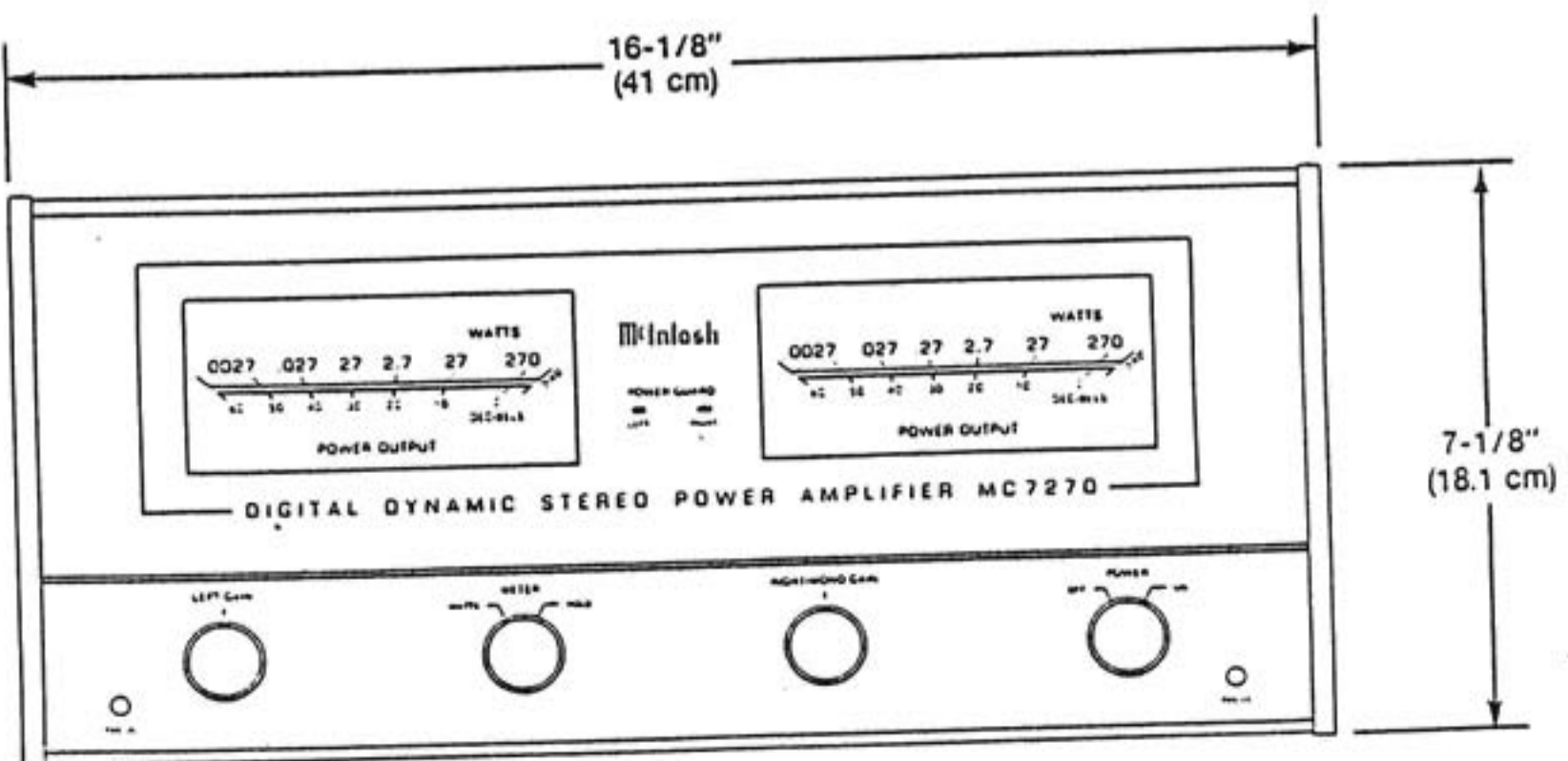


Fig. 2. Front view

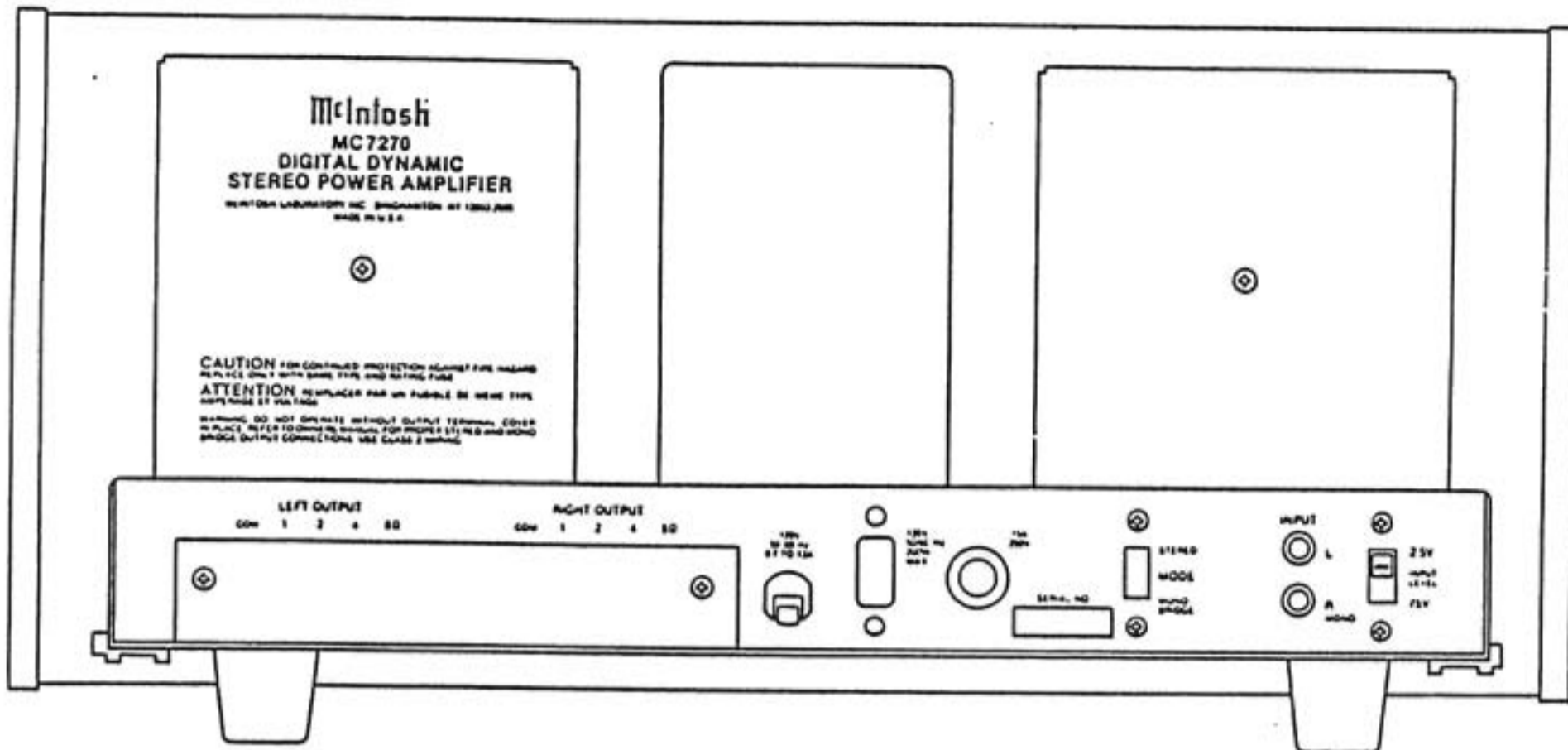


Fig. 3. Rear view

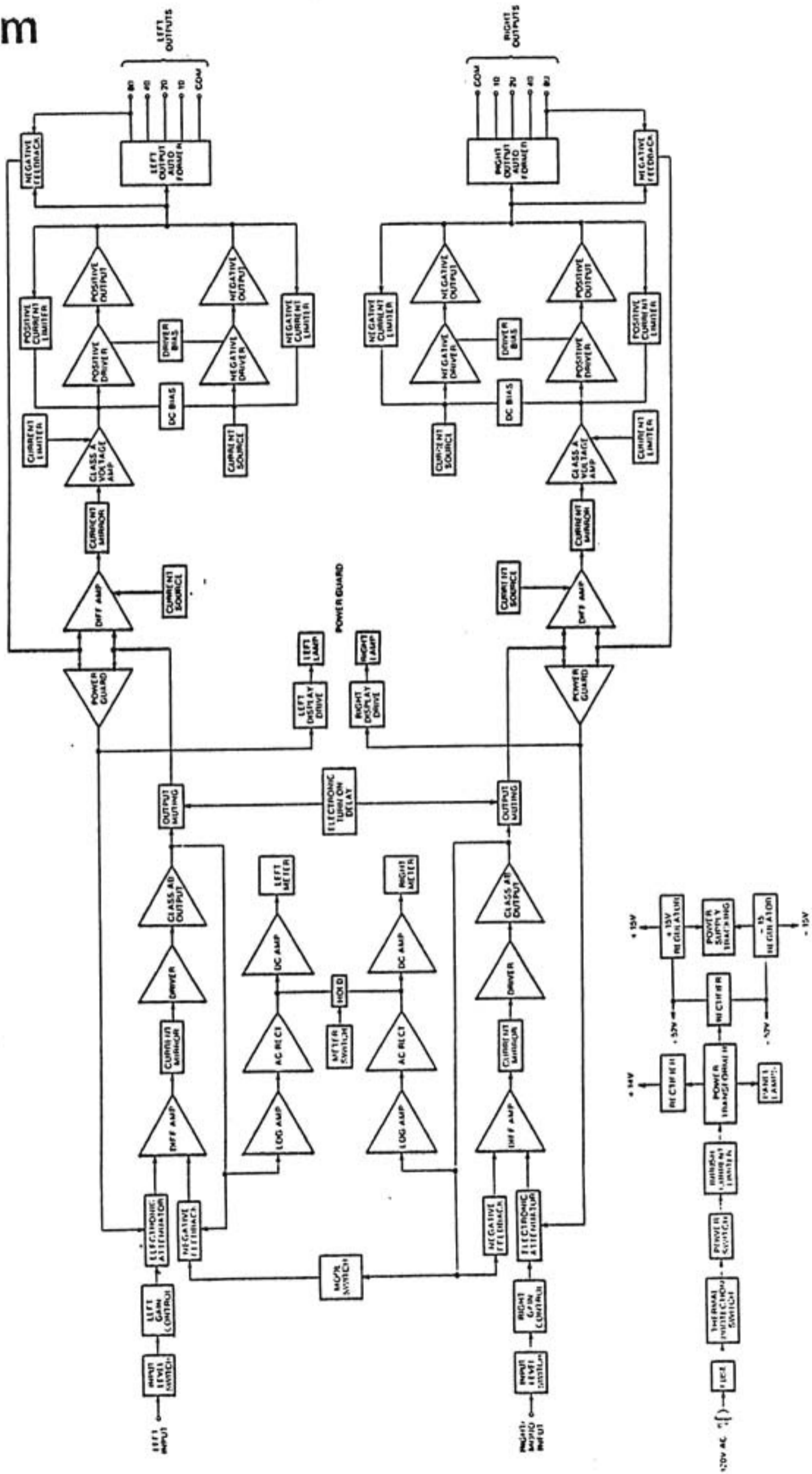
INSTALLATION HARDWARE PARTS LIST

Part No.	Description
046537	Hardware Package
043677	Mounting Strips
260588	Mounting Template
003560	Panloc Shell Bracket, Right
003561	Panloc Shell Bracket, Left
017218	Plastic Feet

FRONT PANEL AND TRIM PARTS LIST

Part No.	Description
046540	Front Panel, Complete
046539	Front Panel, Glass
018345	End Cap
090212	Knobs
090215	Knobs
104017	Felt Washers, Knobs
018239	Top Panel Rail
018347	Bottom Extrusion

Block Diagram



Section Locations

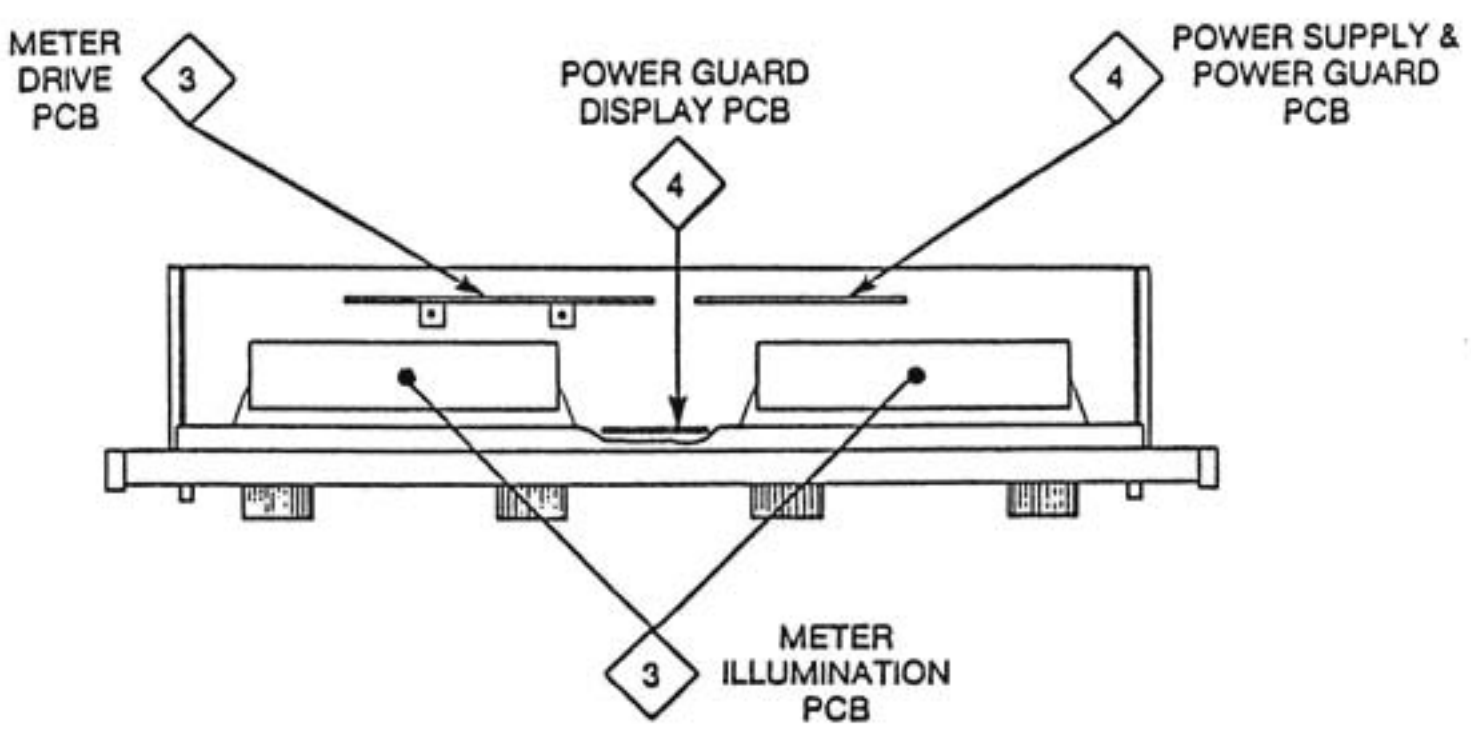


Fig. 4. Partial top view with cover removed

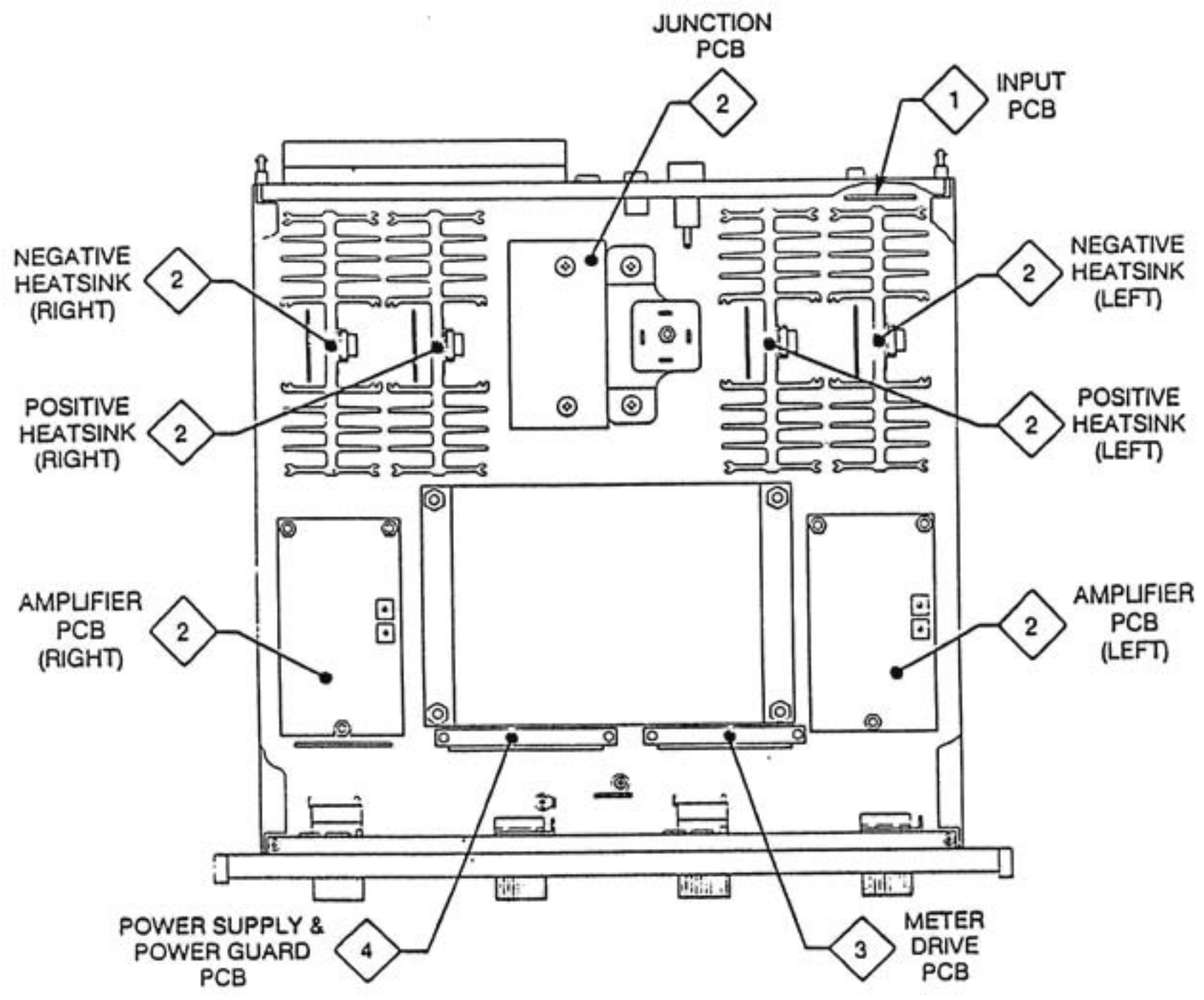


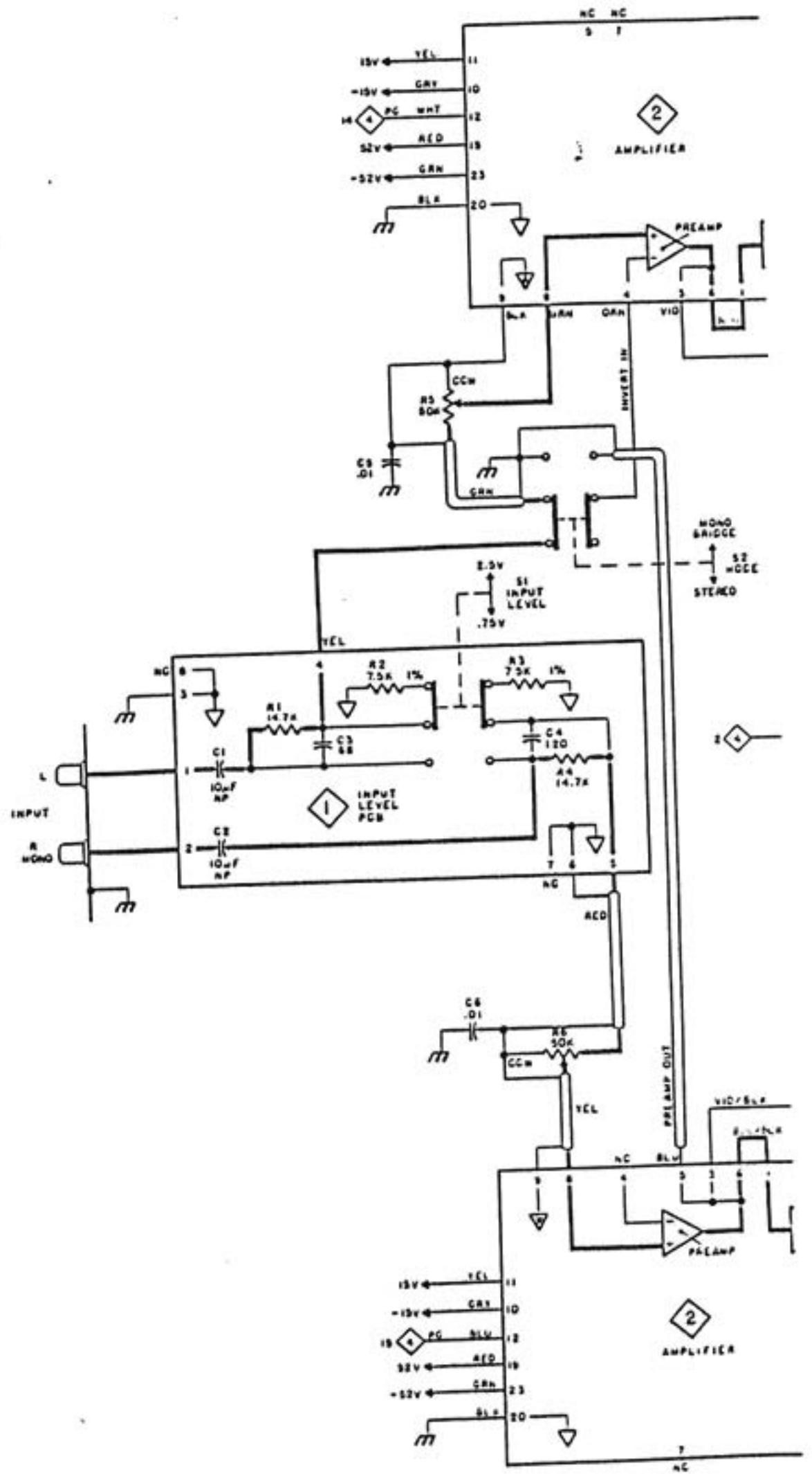
Fig. 5. Bottom view with cover removed

Interconnection Diagram

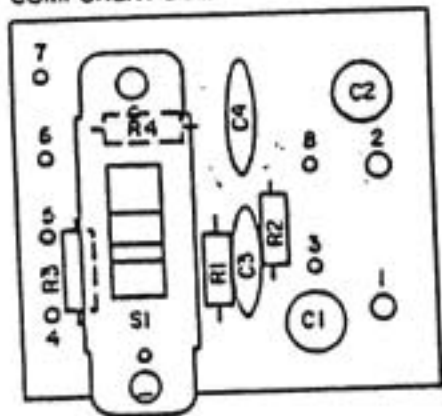


INTERCONNECTION PARTS LIST

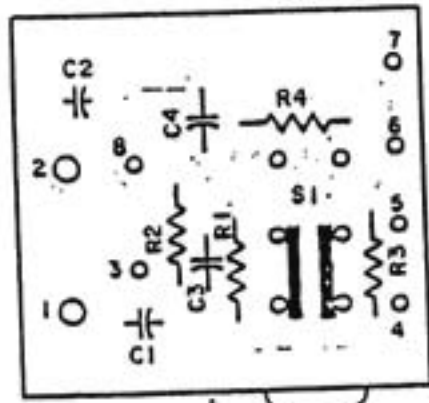
Symbol No.	Part No.	Description
DIODES		
D1	070092	BRID, RECT, 200 V, 35A, MDA3502
FUSES AND FUSEHOLDERS		
F1	174188	#30 Solid Copper Wire (Fusible Link)
F2	089042	Fuse, FA, 15A, 250V, ABC15
	178122	Fuseholder
METERS		
M1, M2	124042	Meter
RESISTORS		
R5, R6	134433	Gain Control, 50K Ω
SWITCHES		
S1	148053	Input Level
S2	146183	Meter
S4	146183	Power
THERMISTORS		
RT1, RT2	144151	Thermistor, 5 Ω
TRANSFORMERS		
T1, T2	046530	Output
T3	046531	Power



COMPONENT SIDE



CIRCUIT SIDE



INPUT LEVEL PCB 046552



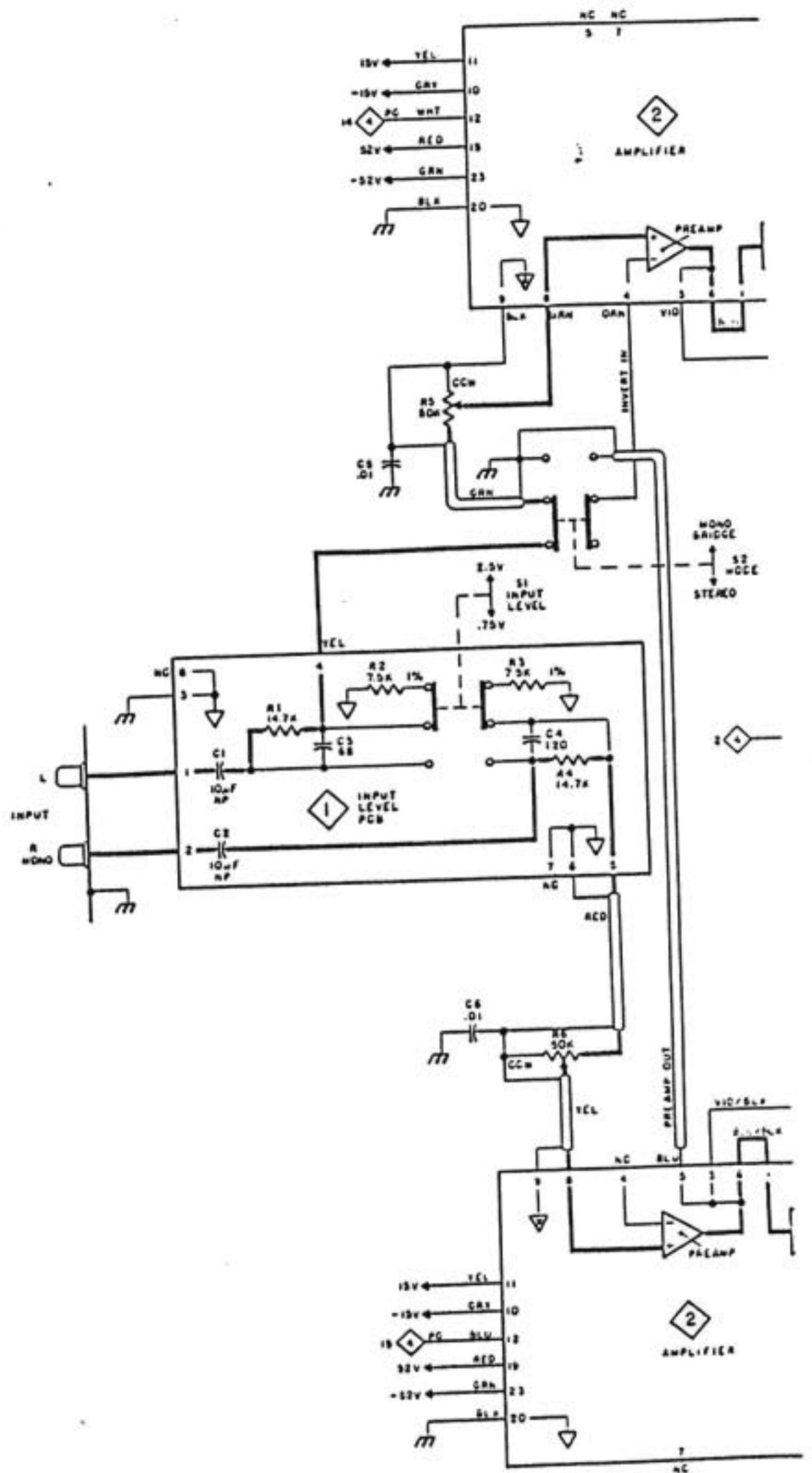
D1

Interconnection Diagram

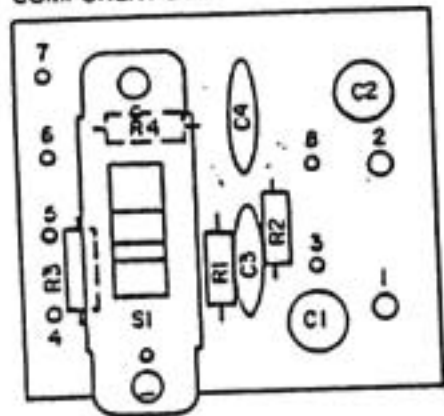


INTERCONNECTION PARTS LIST

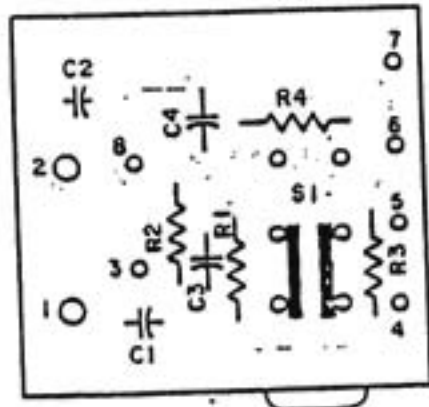
Symbol No.	Part No.	Description
DIODES		
D1	070092	BRID, RECT, 200 V, 35A, MDA3502
FUSES AND FUSEHOLDERS		
F1	174188	#30 Solid Copper Wire (Fusible Link)
F2	089042	Fuse, FA, 15A, 250V, ABC15
	178122	Fuseholder
METERS		
M1, M2	124042	Meter
RESISTORS		
R5, R6	134433	Gain Control, 50K Ω
SWITCHES		
S1	148053	Input Level
S2	146183	Meter
S4	146183	Power
THERMISTORS		
RT1, RT2	144151	Thermistor, 5 Ω
TRANSFORMERS		
T1, T2	046530	Output
T3	046531	Power



COMPONENT SIDE



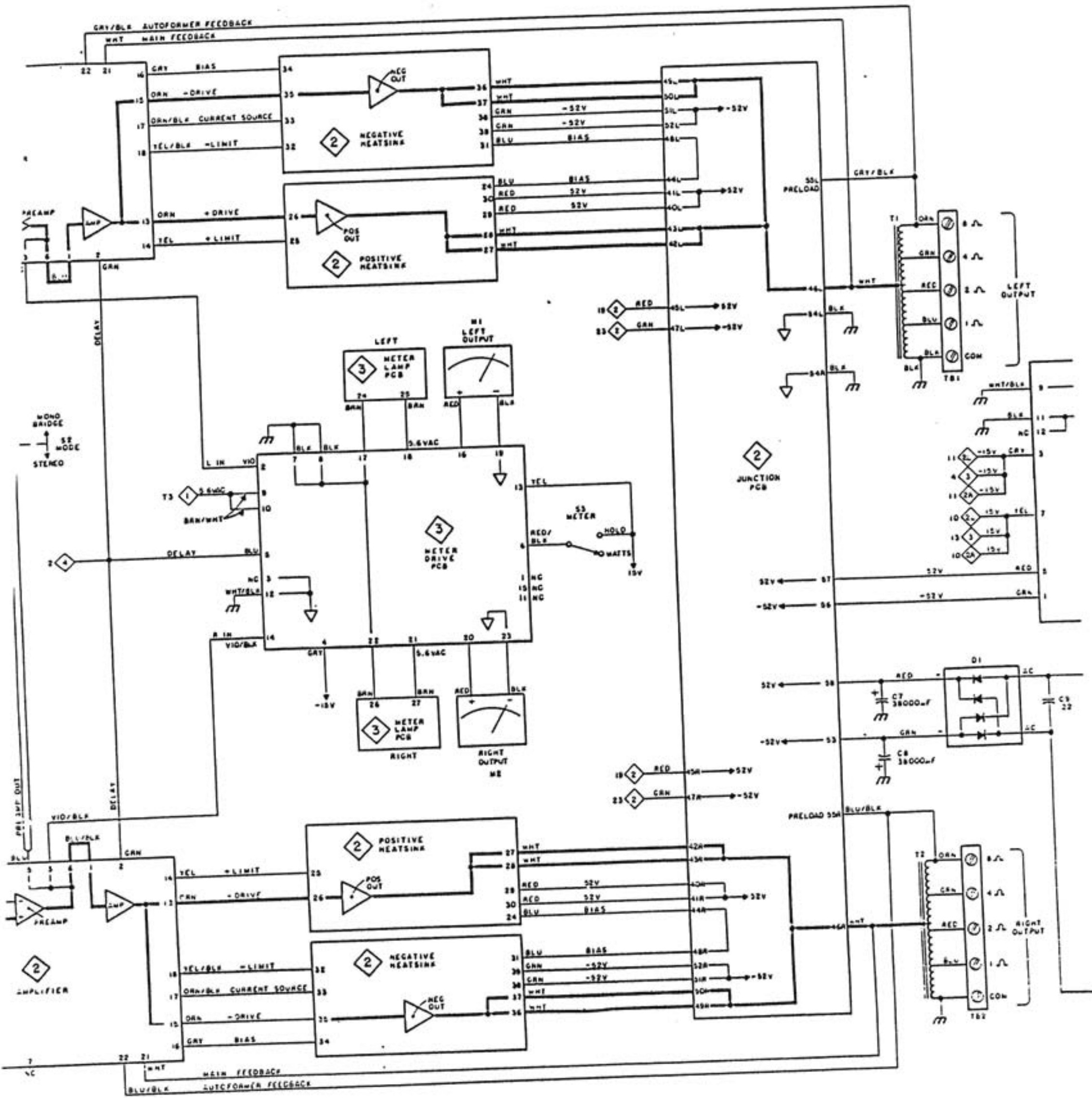
CIRCUIT SIDE

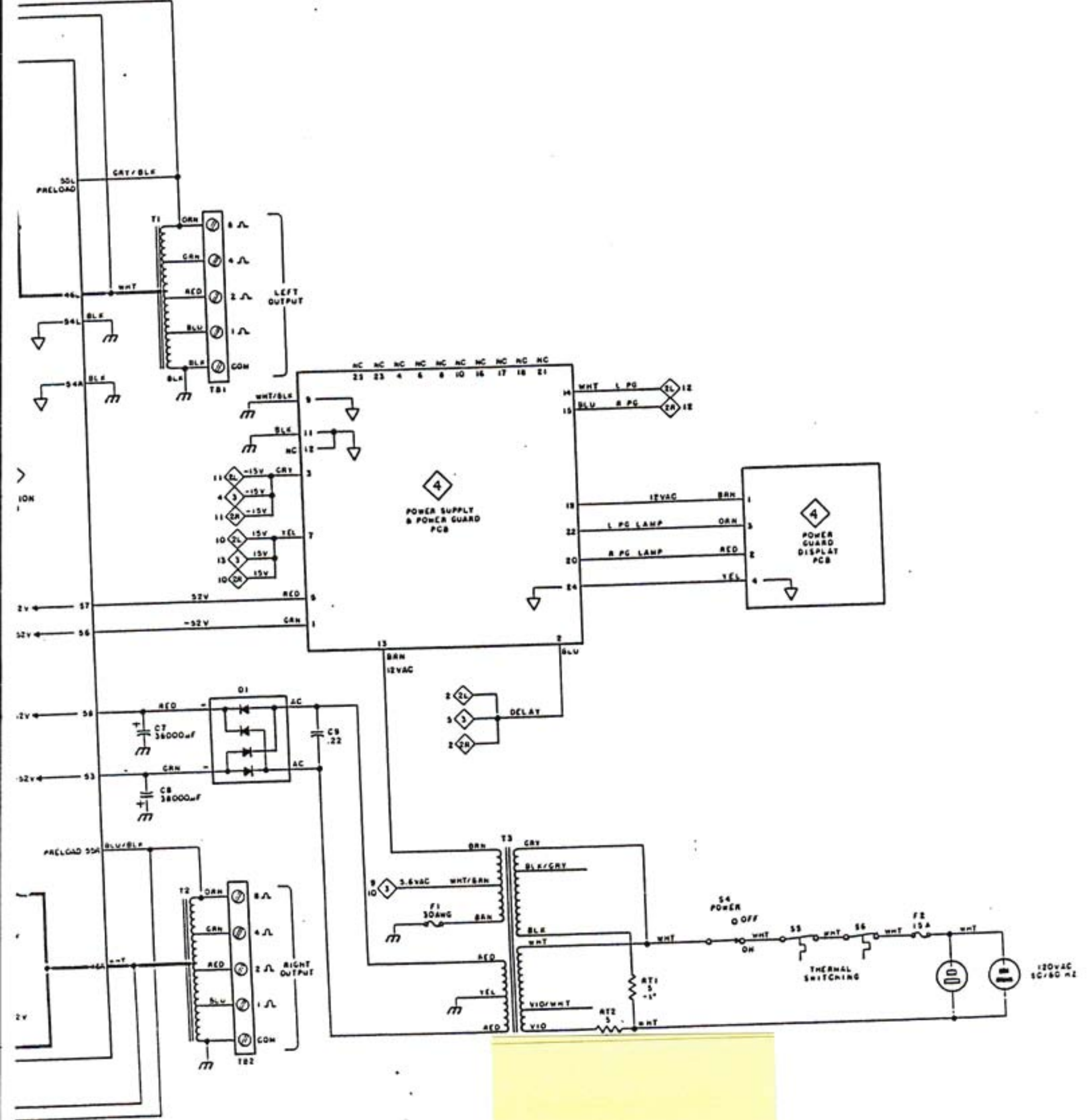


INPUT LEVEL PCB 046552

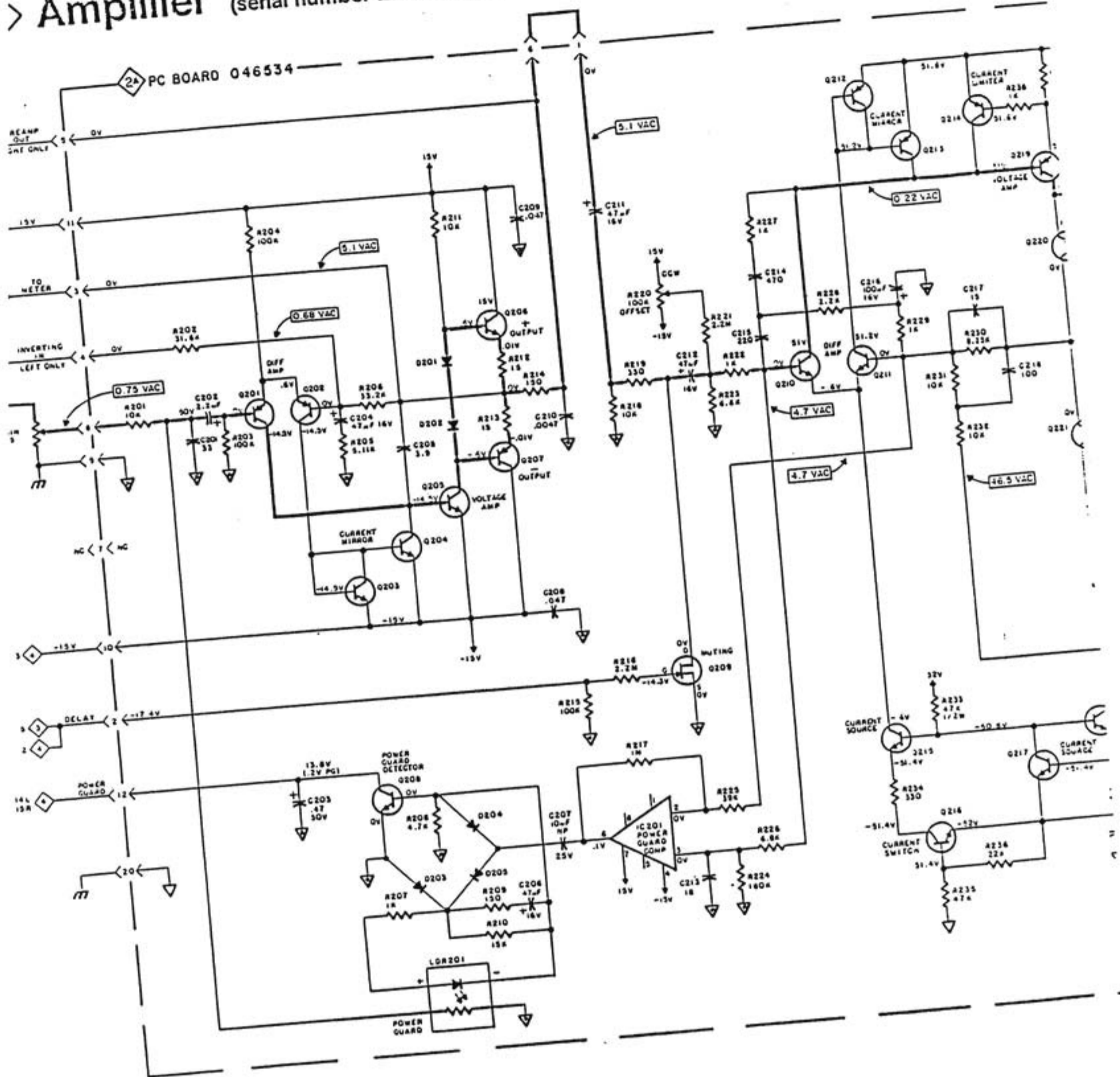


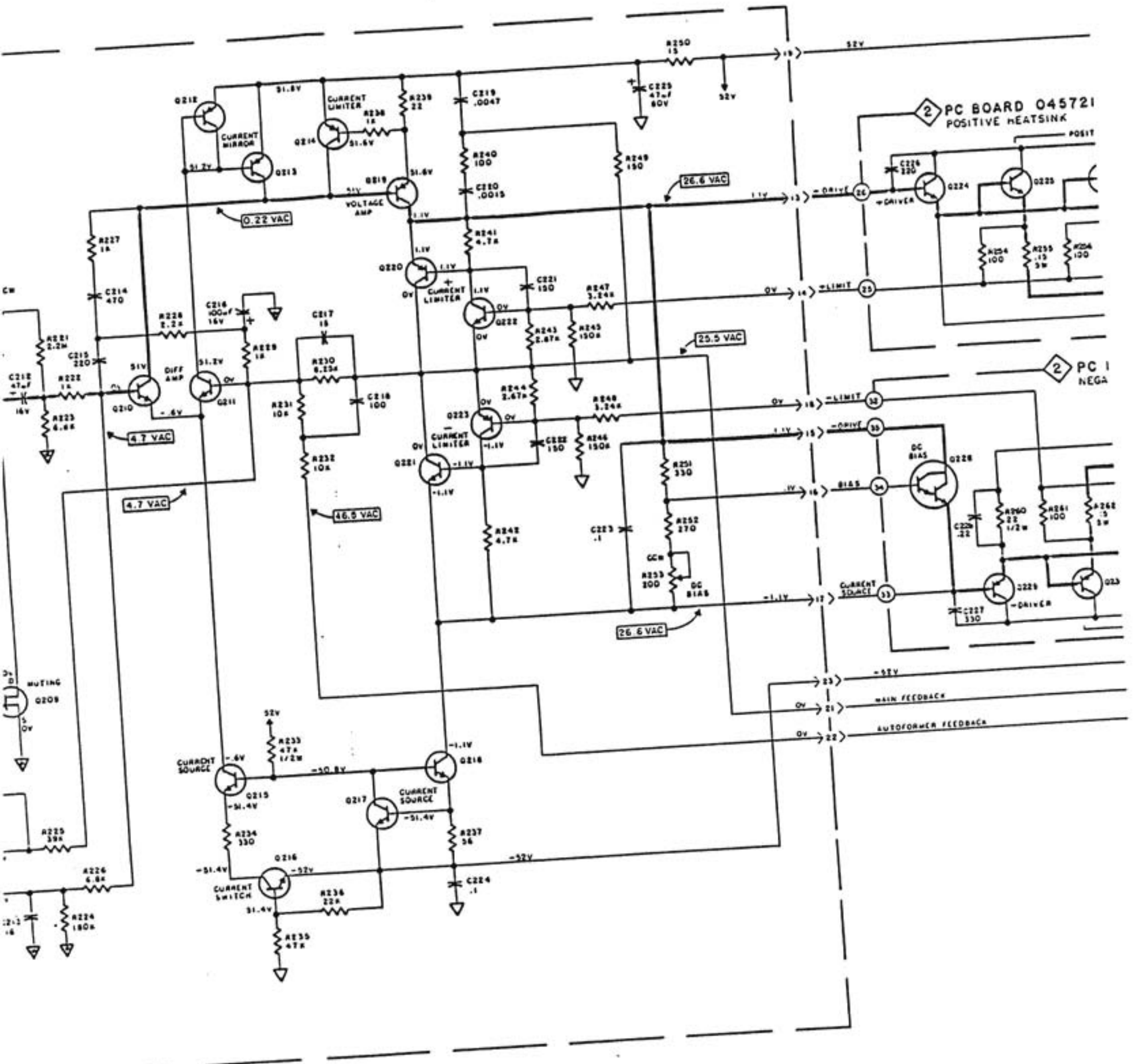
D1

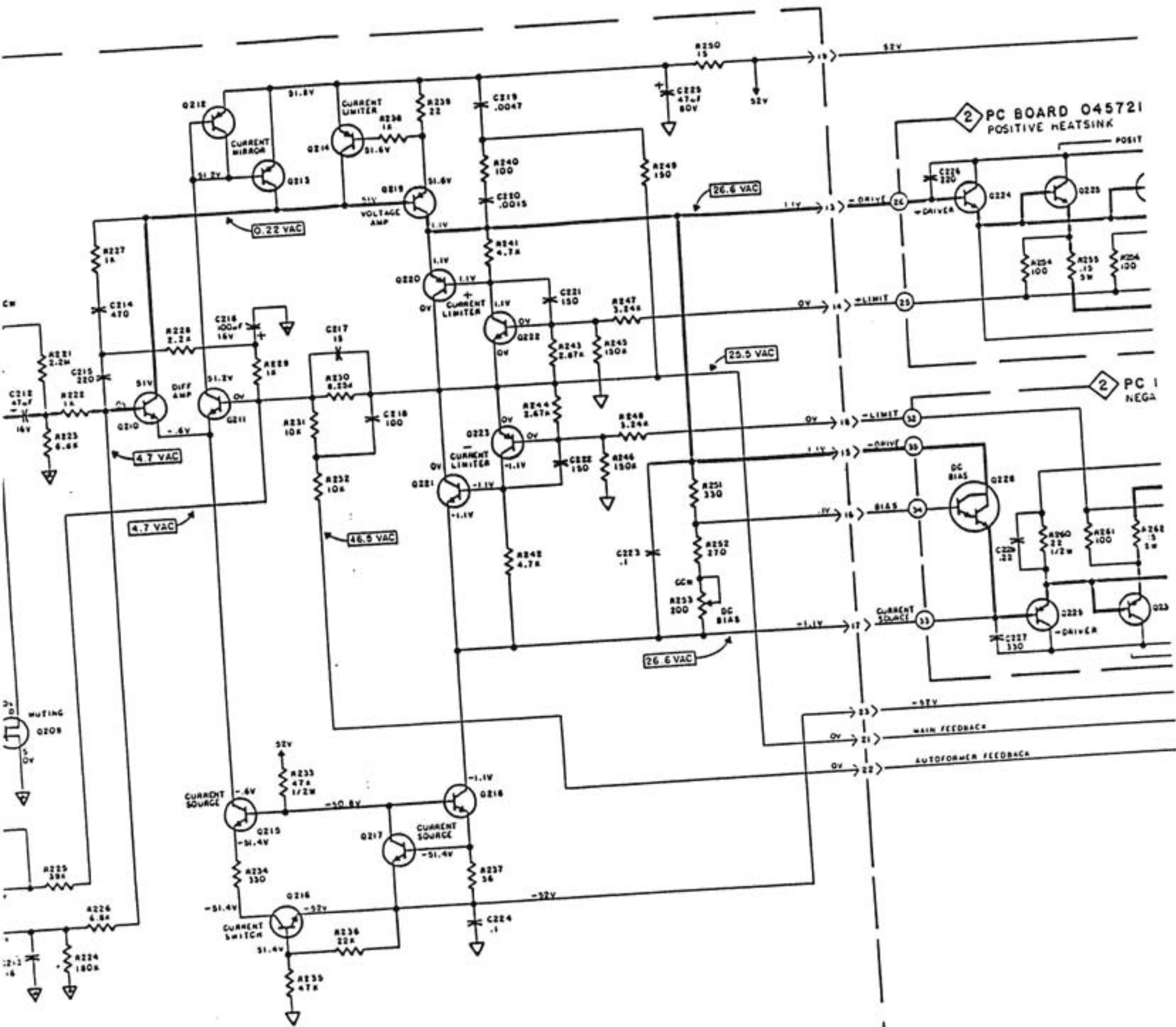


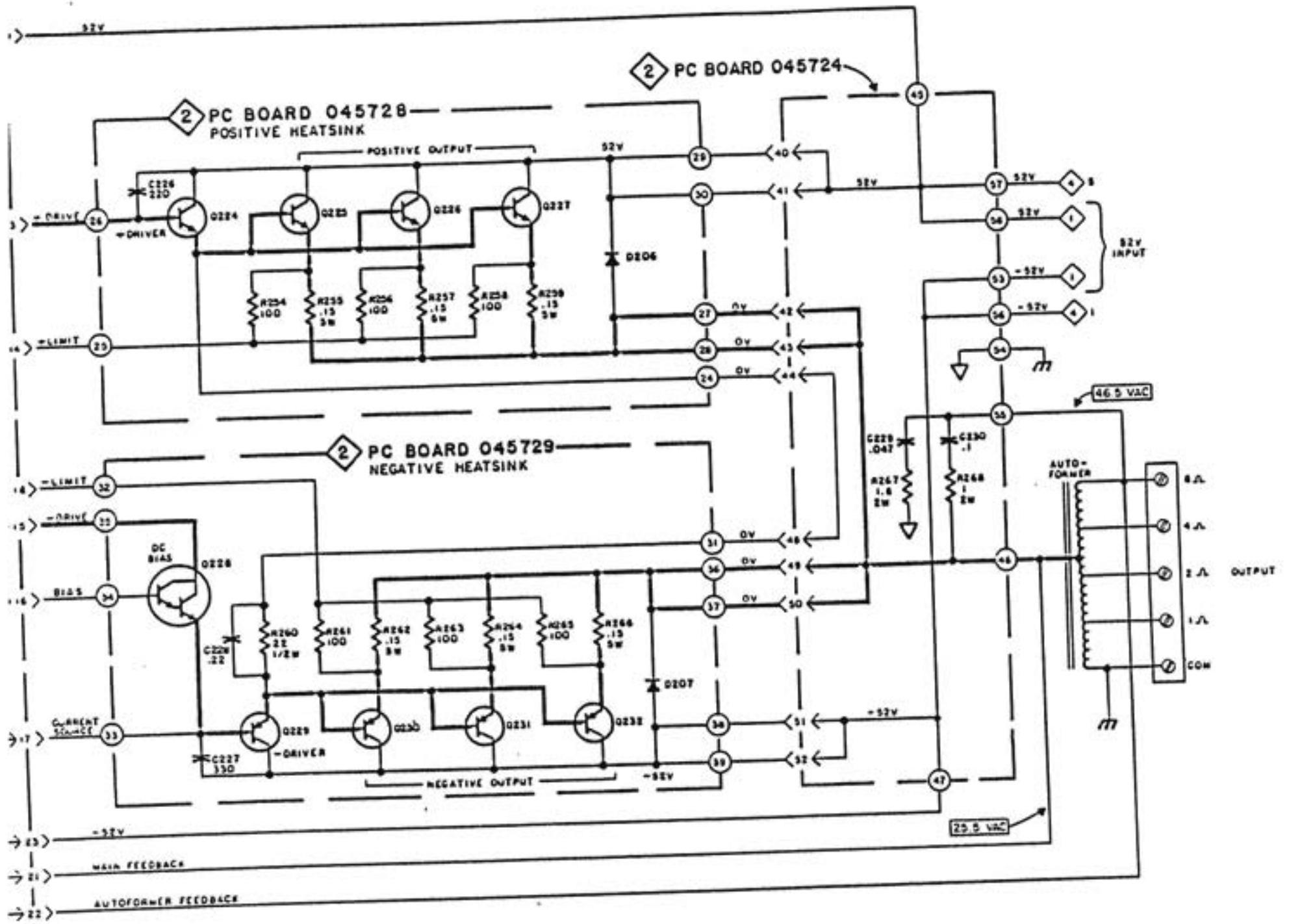


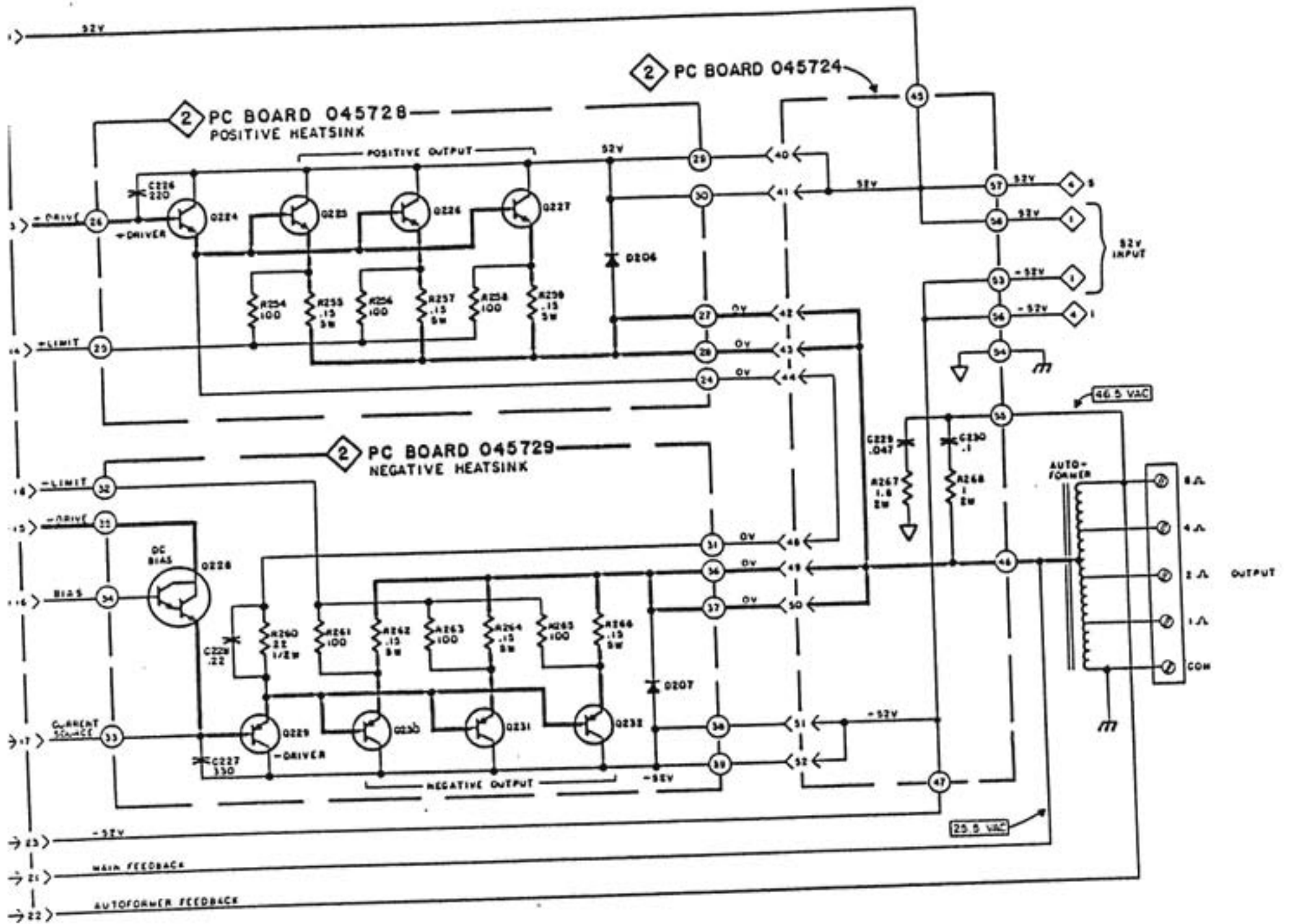
> Amplifier (serial number EA1001 to EA3499)



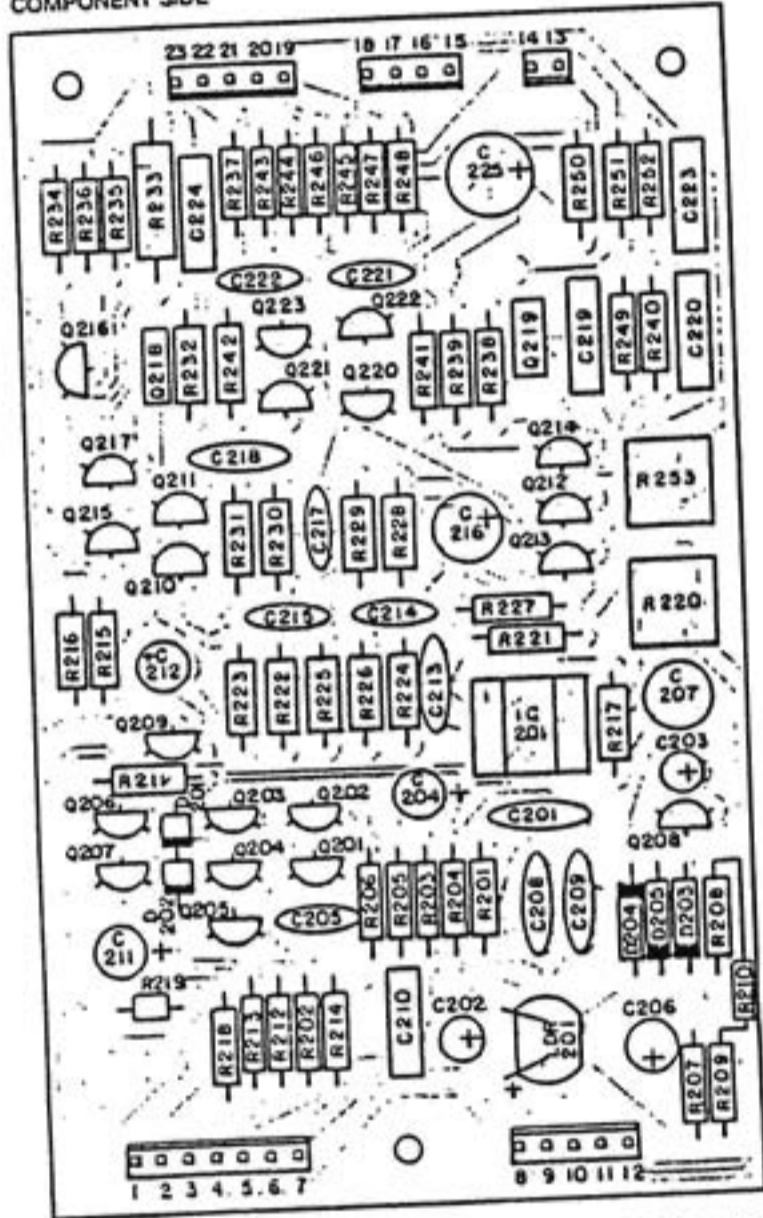




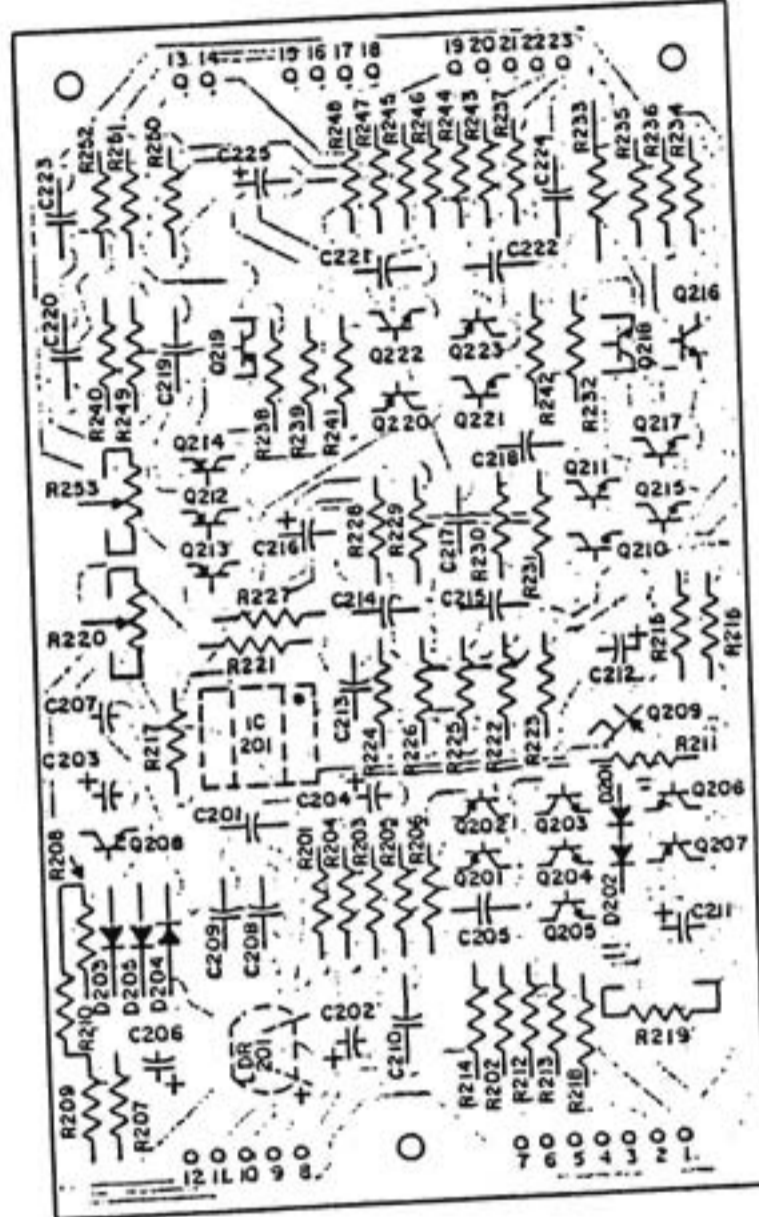




COMPONENT SIDE



CIRCUIT SIDE



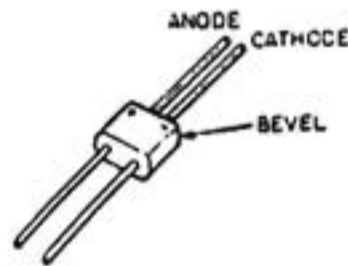
AMPLIFIER DRIVER PCB 046534



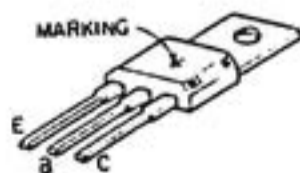
IC201



Q209



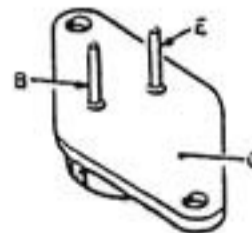
LDR201



Q218-Q219



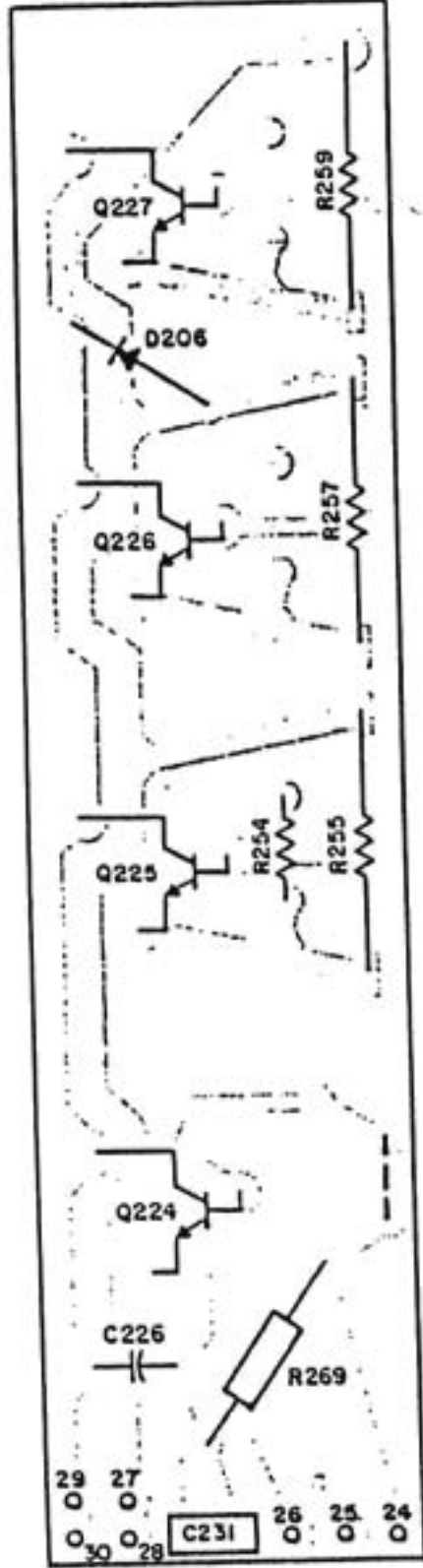
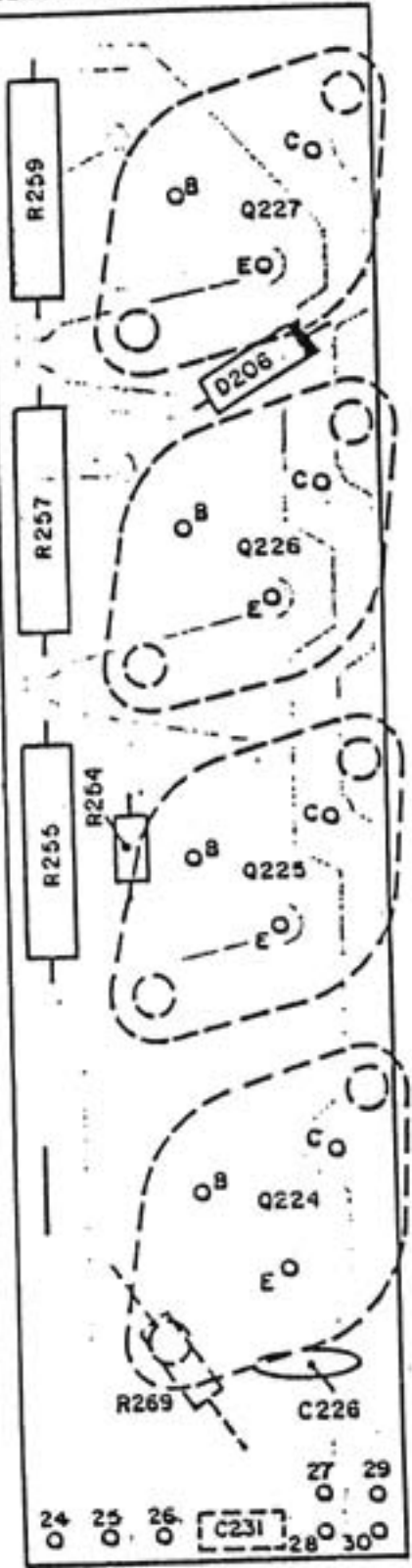
Q201-Q208, Q210-Q217
Q220-Q223, Q228



Q224-Q227
Q229-Q232

COMPONENT SIDE

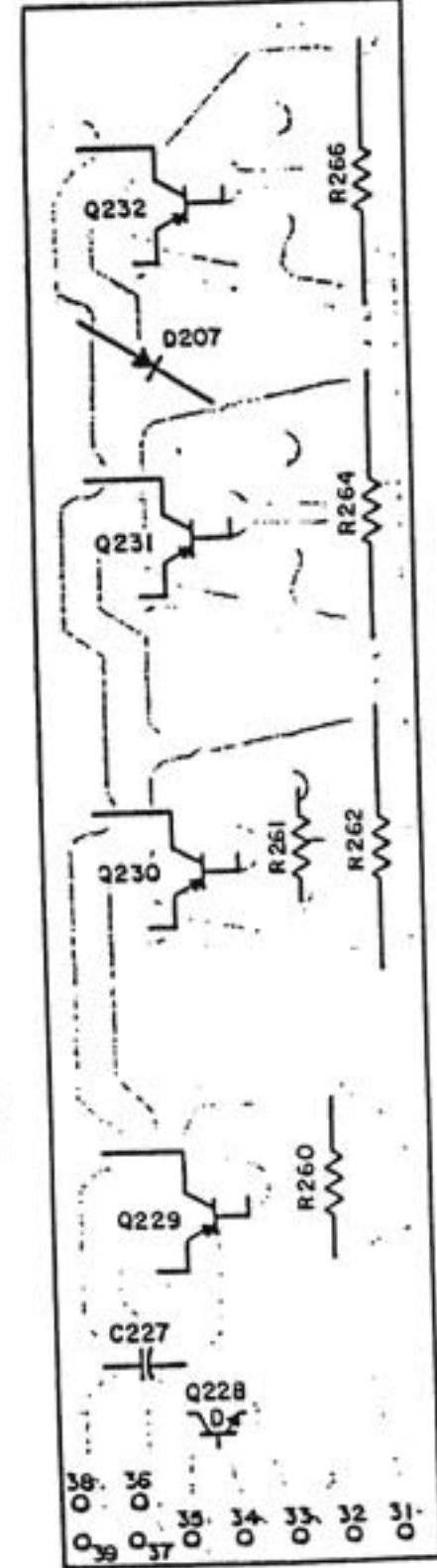
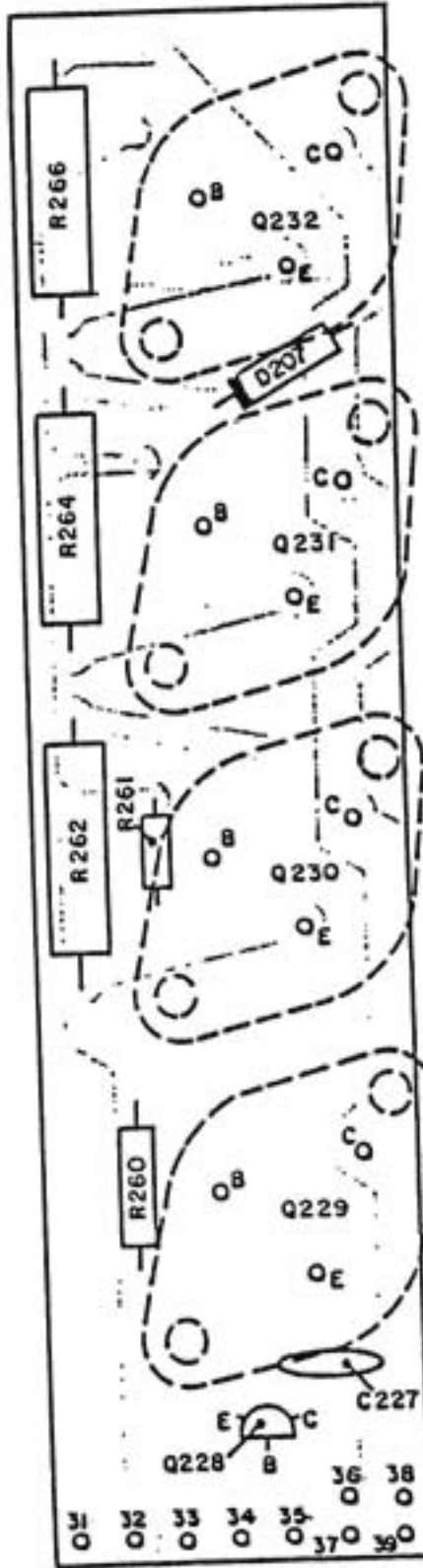
CIRCUIT SIDE



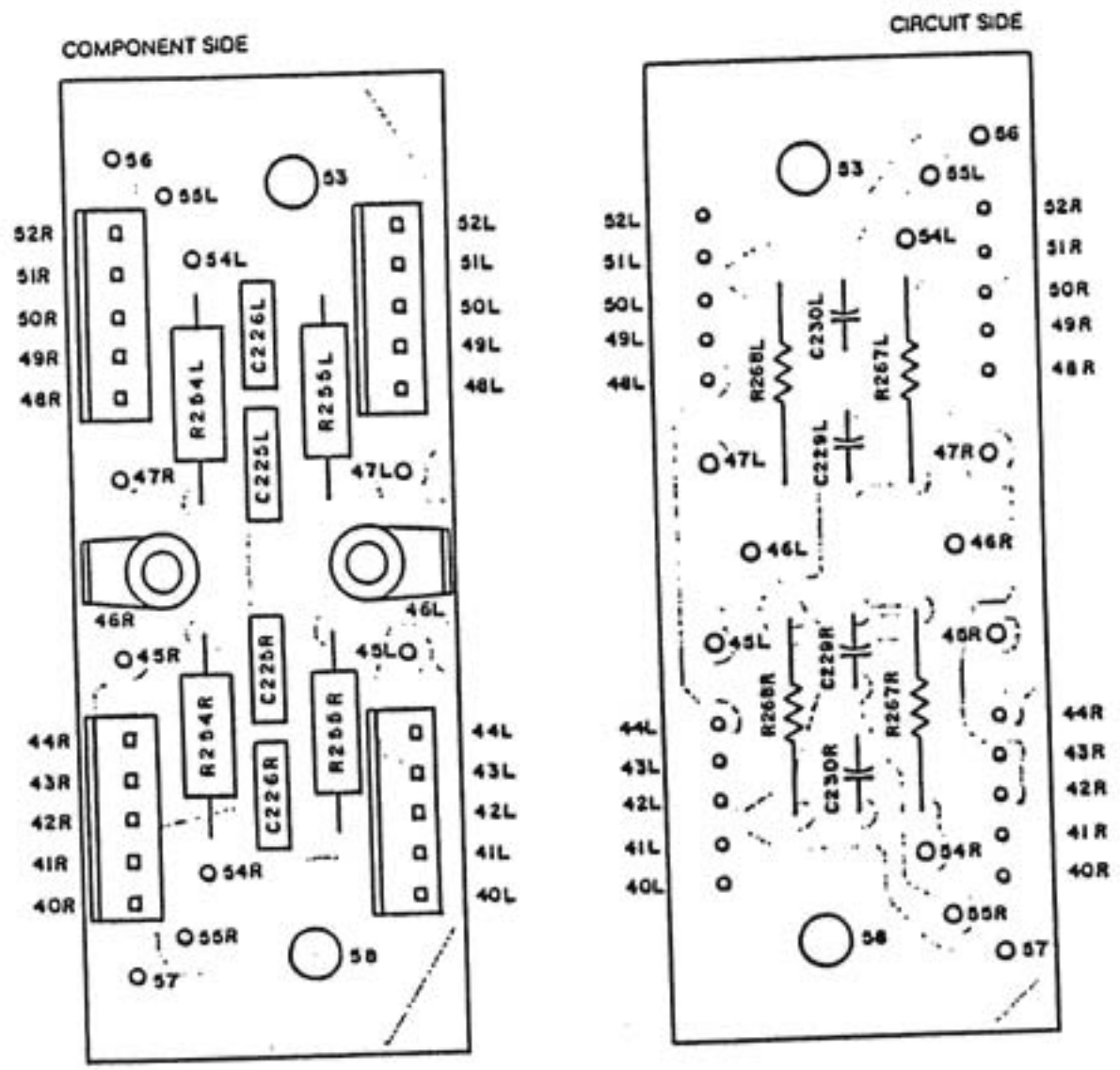
POSITIVE HEATSINK PCB 045728

COMPONENT SIDE

CIRCUIT SIDE



NEGATIVE HEATSINK PCB 045729

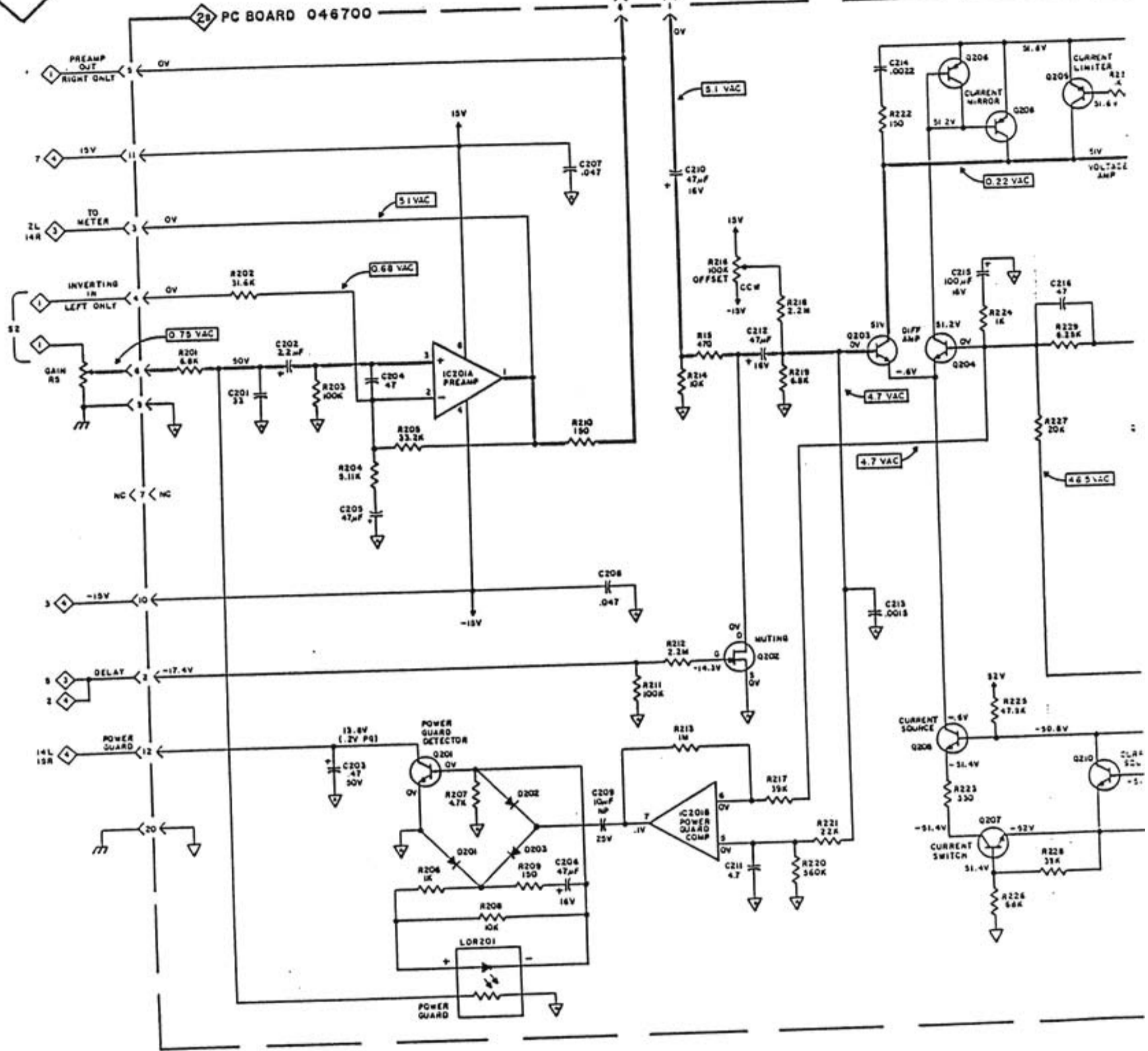


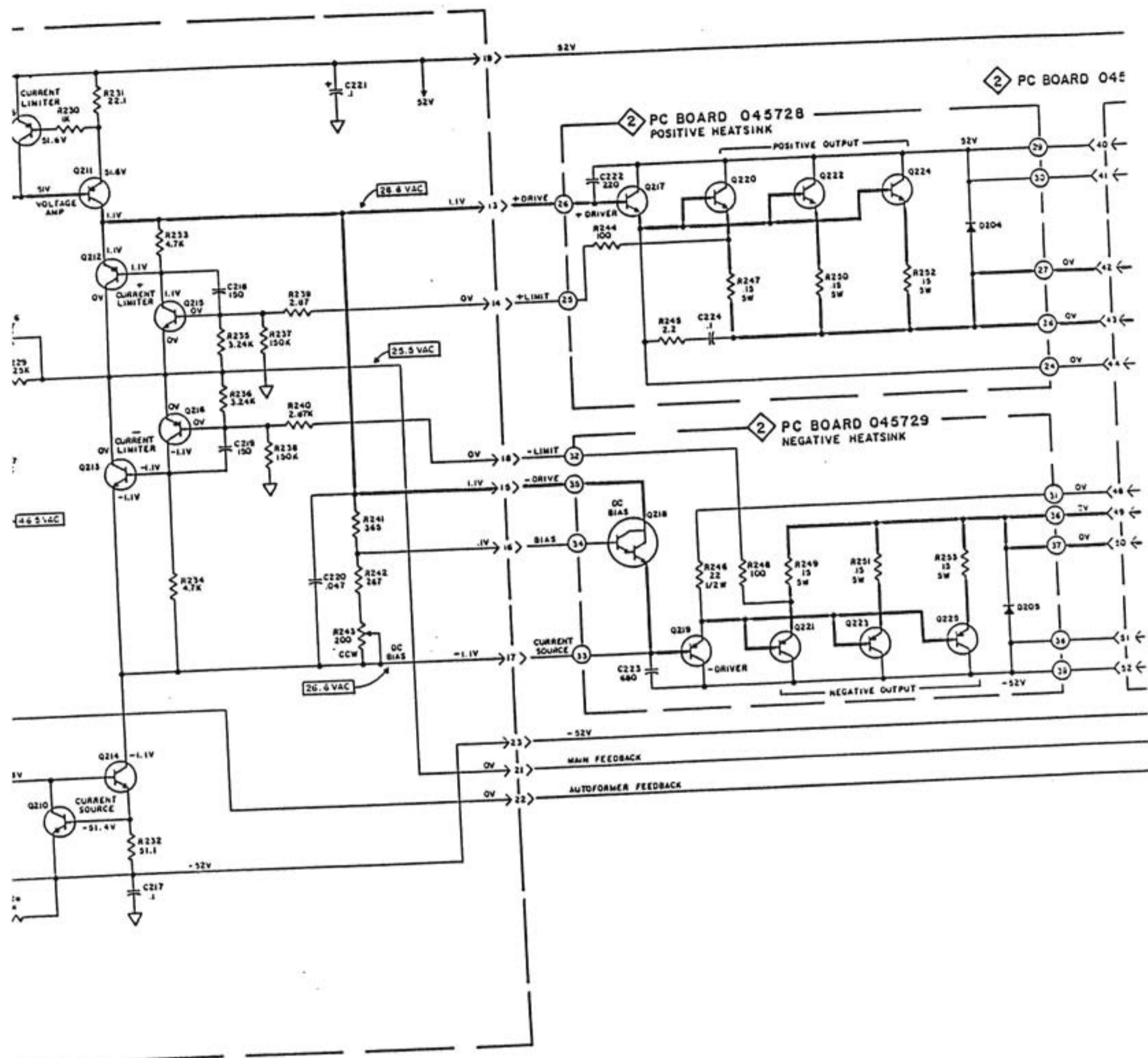
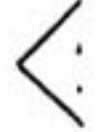
JUNCTION PCB 045724

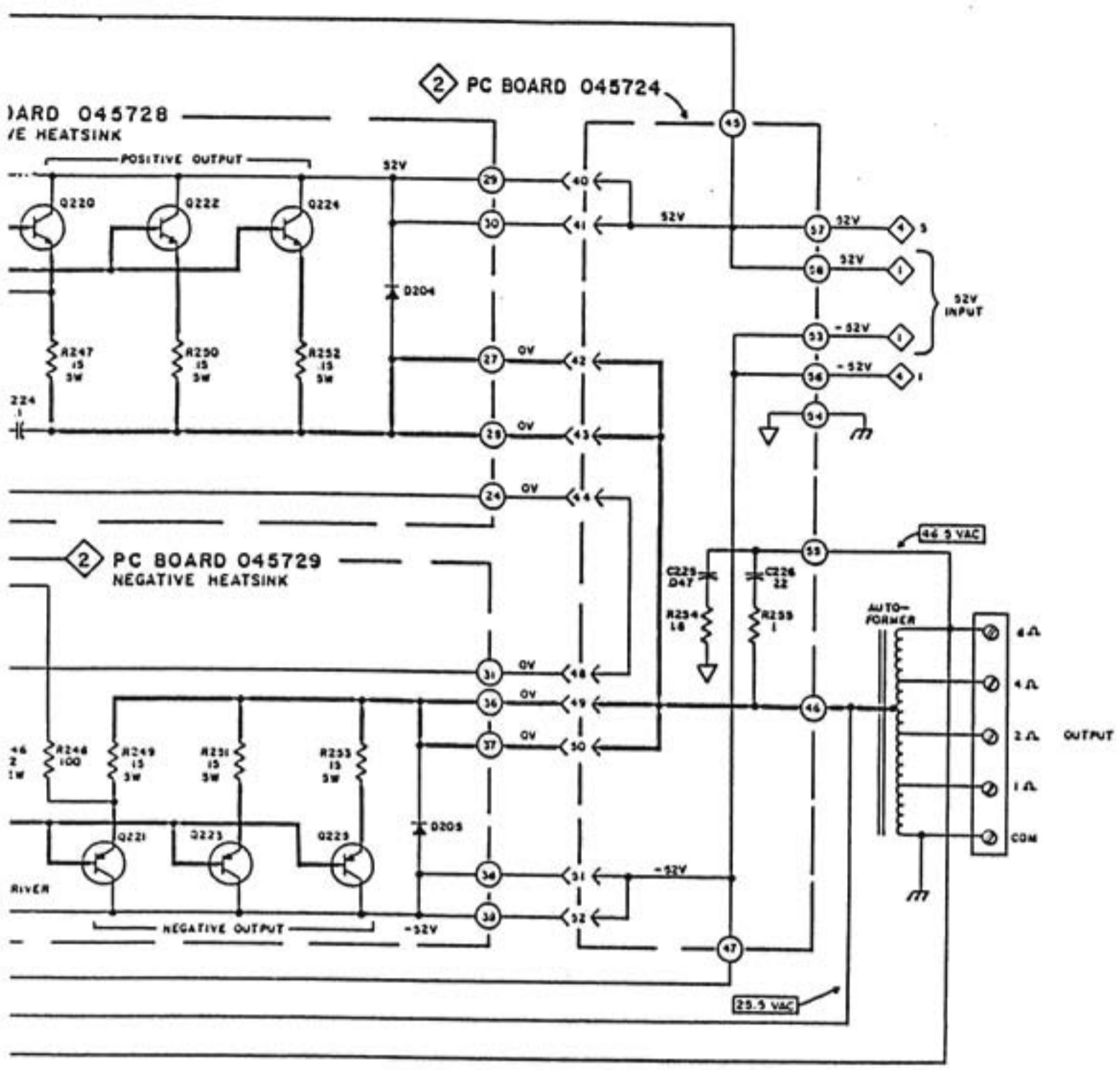
AMPLIFIER PARTS LIST

Symbol No.	Part No.	Description
DIODES		
D201-D205	070047	SIG, 75V, 10mA, 1N4148
D206, D207	070031	RECT, 400V, 1.5A, 1N4820
INTEGRATED CIRCUITS		
IC201	133066	Dual Operational Amp, NE5534N
LIGHT DEPENDENT RESISTORS		
LDR201	144179	LDR, VTL5C9
TRANSISTORS		
Q201, Q202	132056	PNP, 2N5087
Q203, Q204	132223	NPN, MPS4124
Q205	132185	NPN, Selected 2N6429A
Q206	132171	NPN, MPSA05
Q207	132172	PNP, MPSA55
Q208	132223	NPN, MPS4124
Q209	132222	N, FET, J108
Q210, Q211	132185	NPN, Selected 2N6429A
Q212, Q213	132056	PNP, 2N5087
Q214	132224	PNP, MPS4126
Q215	132185	NPN, Selected 2N6429A
Q216, Q217	132223	NPN, MPS4124
Q218	132196	NPN, Selected 2N6553
Q219	132194	PNP, Selected 2N6556
Q220	132224	PNP, MPS4126
Q221, Q222	132223	NPN, MPS4124
Q223	132224	PNP, MPS4126
Q224	132203	NPN, Selected MJ4248
Q225-Q227	132188	NPN
Q228	132090	NPN, DAR, Selected MPSA14
Q229	132204	PNP, Selected MJ4238
Q230-Q232	132189	PNP

2B Amplifier (serial number 3500 and above)

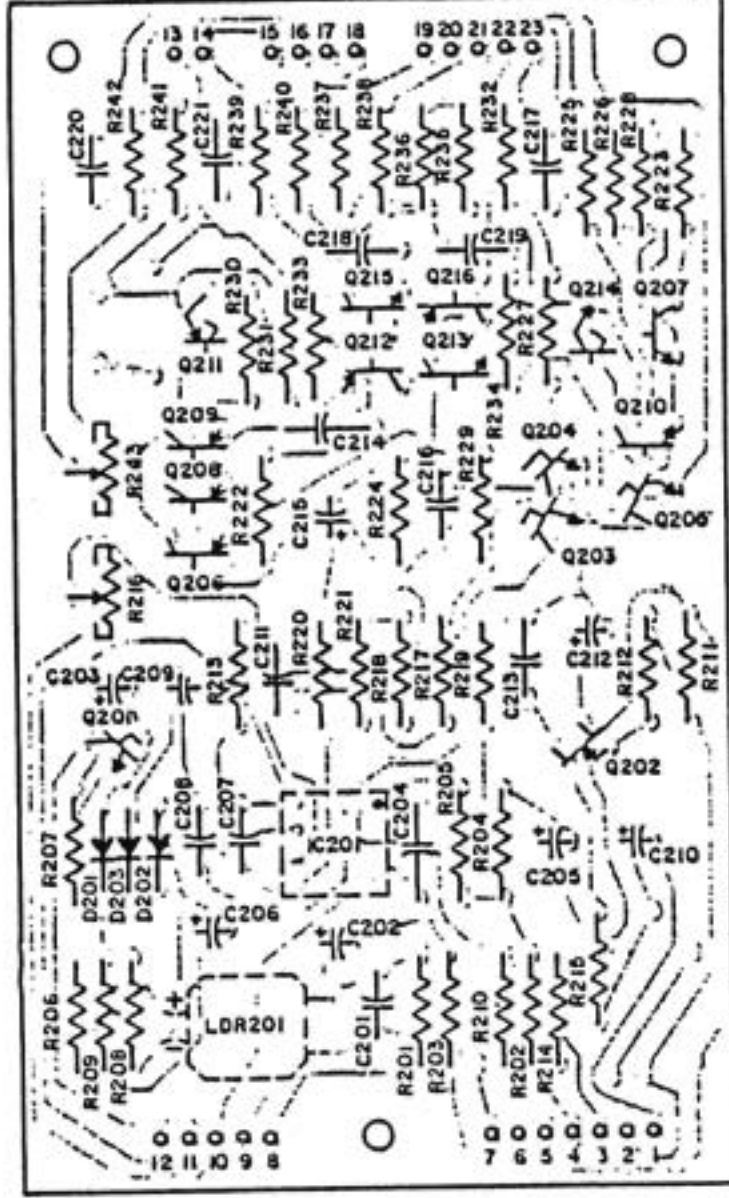
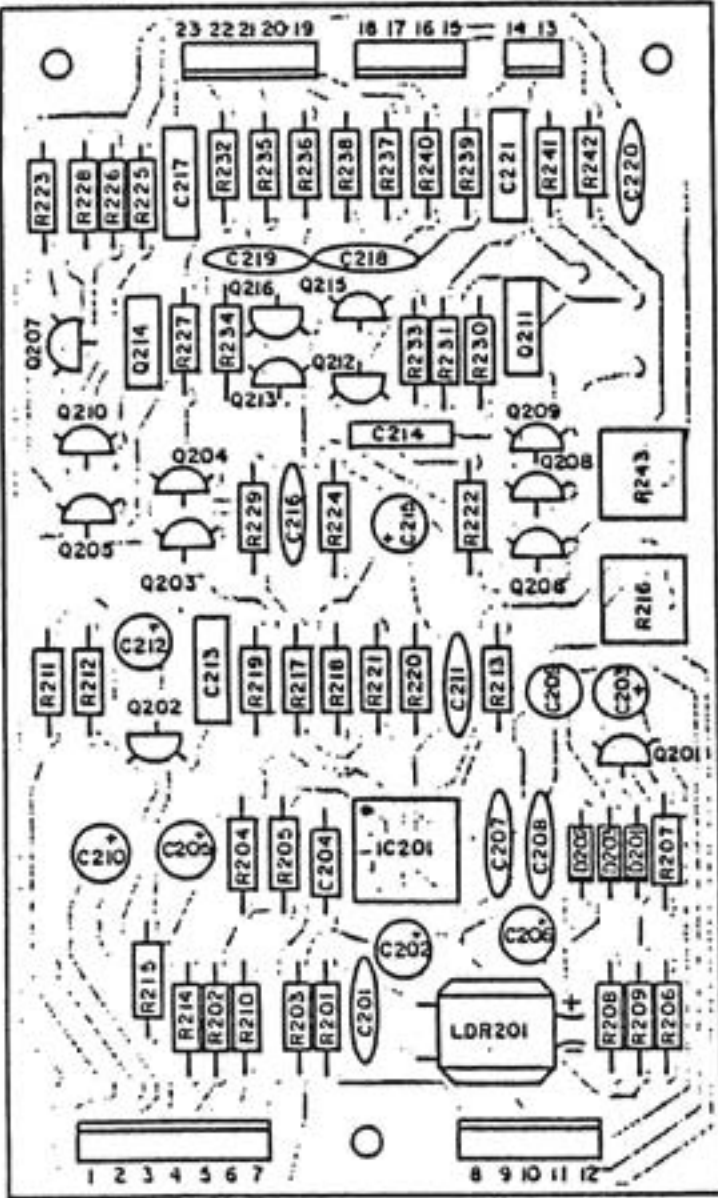




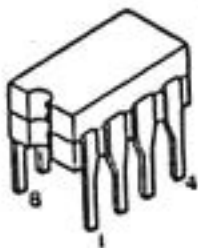


COMPONENT SIDE

CIRCUIT SIDE



AMPLIFIER DRIVER PCB 046700



IC201



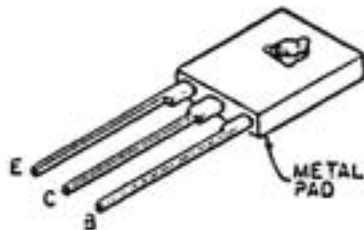
Q201, Q206-Q210
Q212, Q213, Q215
Q216, Q218



Q202



Q203-Q205

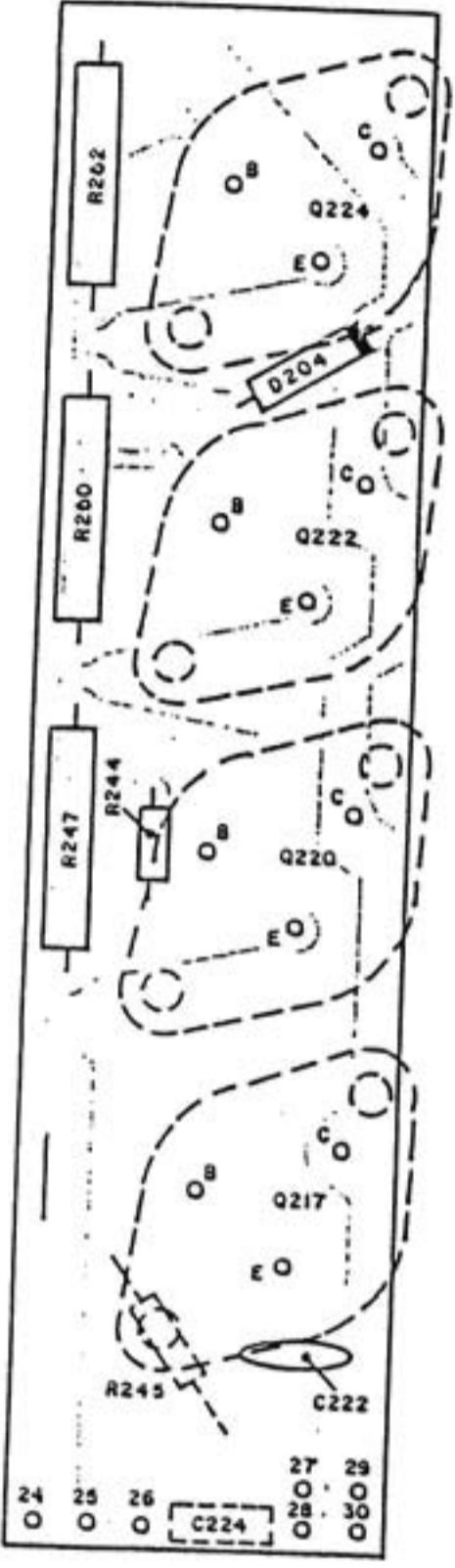


Q211, Q214

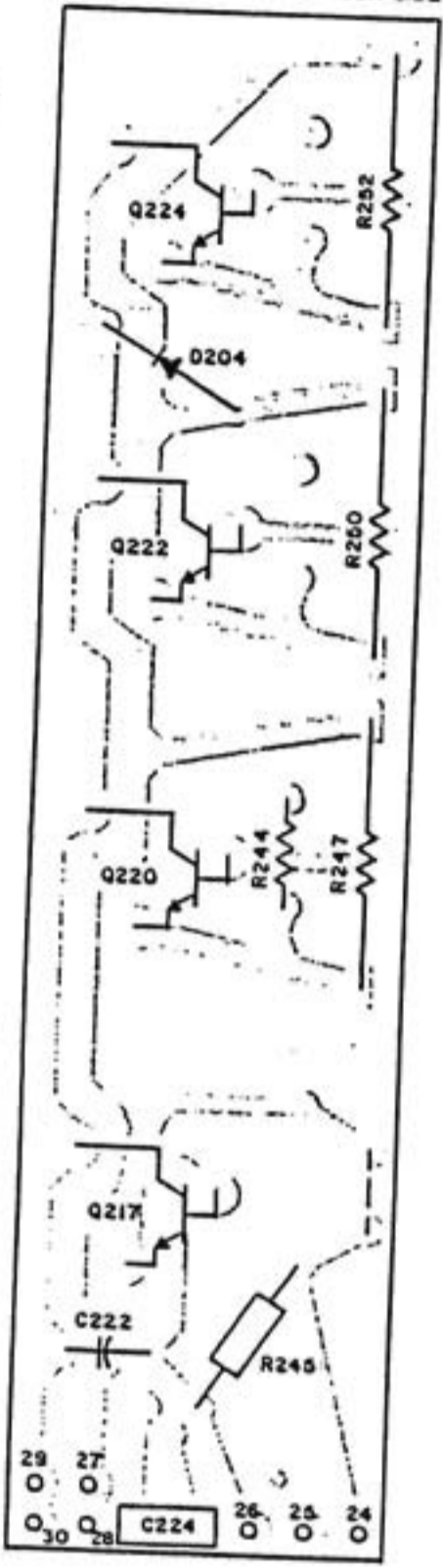


Q217, Q219-Q225

COMPONENT SIDE

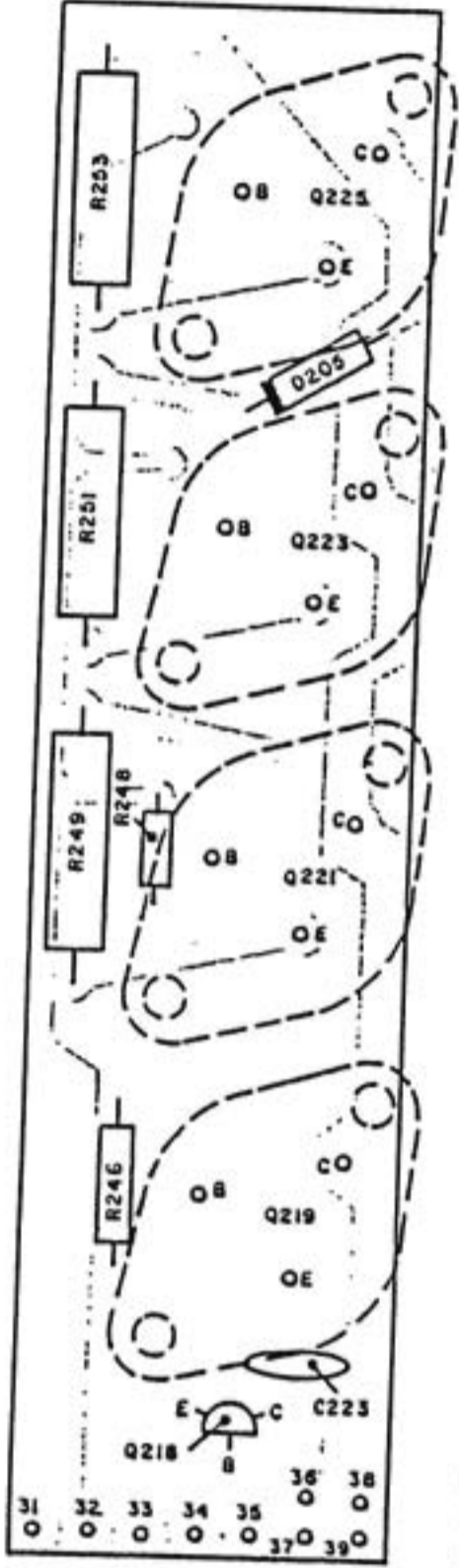


CIRCUIT SIDE

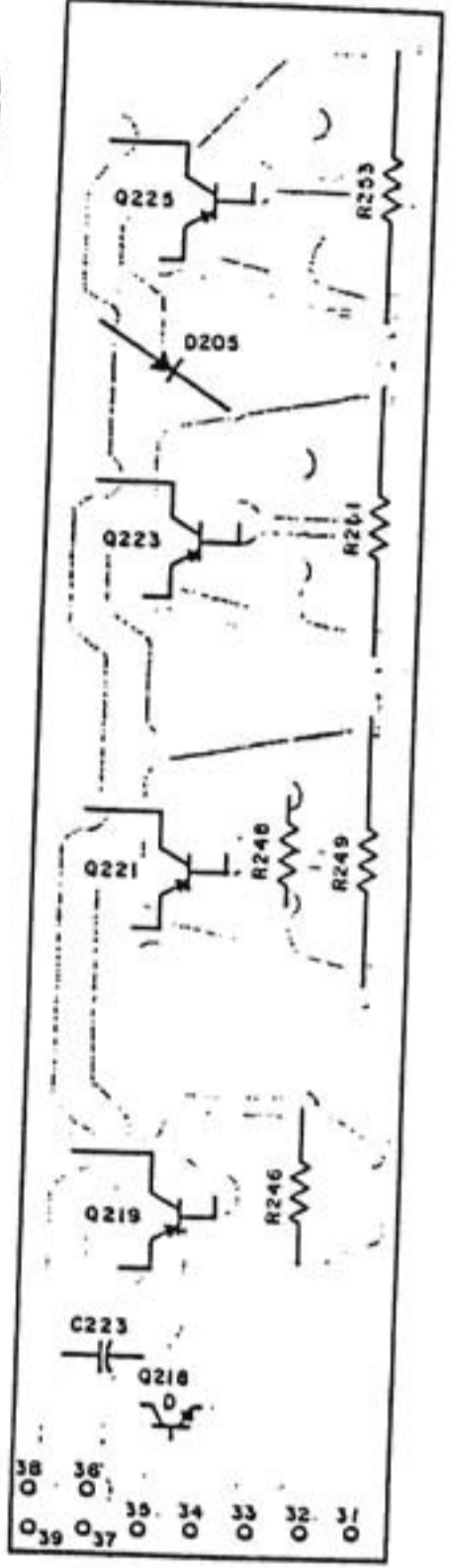


POSITIVE HEATSINK PCB 045728

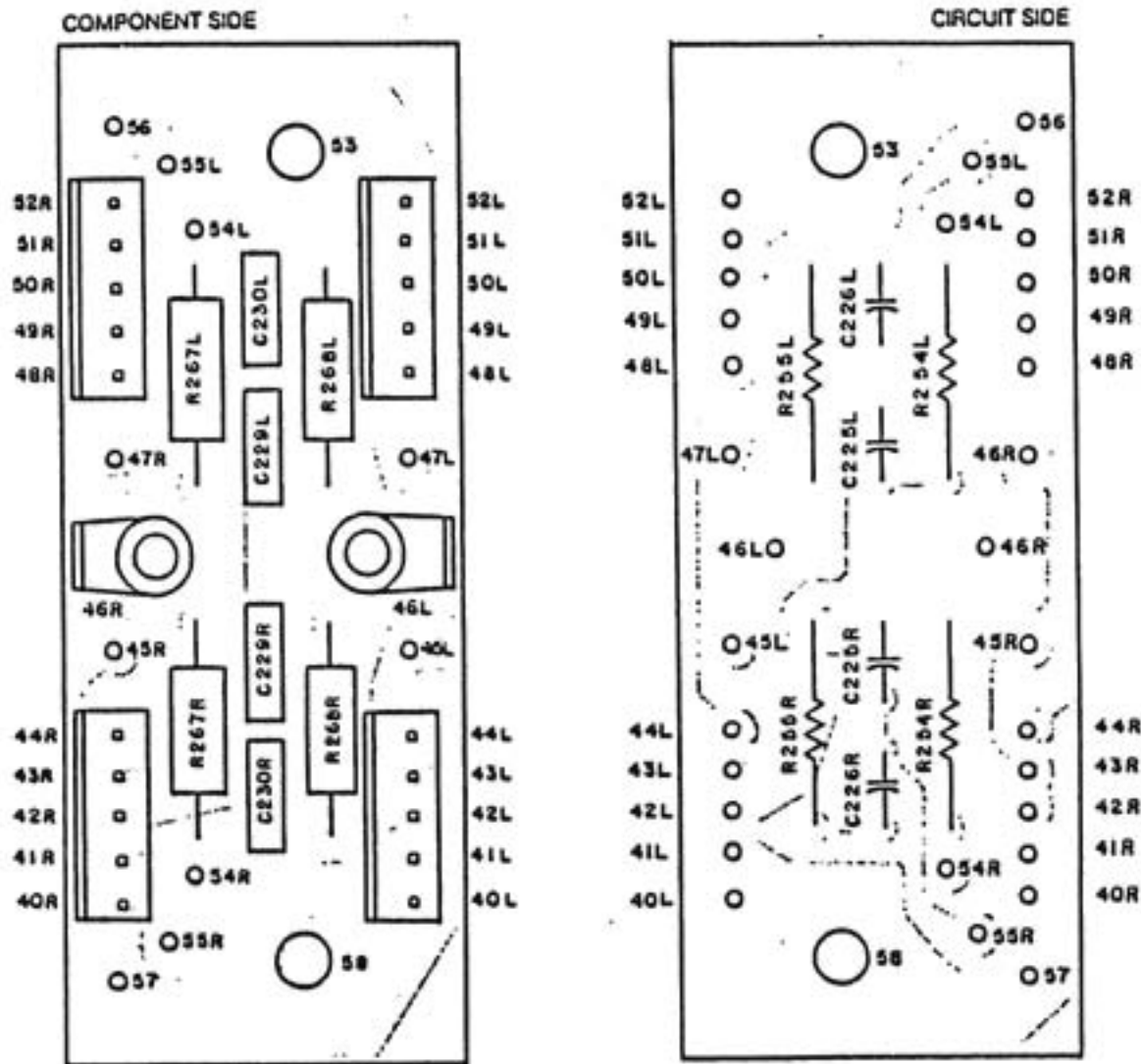
COMPONENT SIDE



CIRCUIT SIDE



NEGATIVE HEATSINK PCB 045729



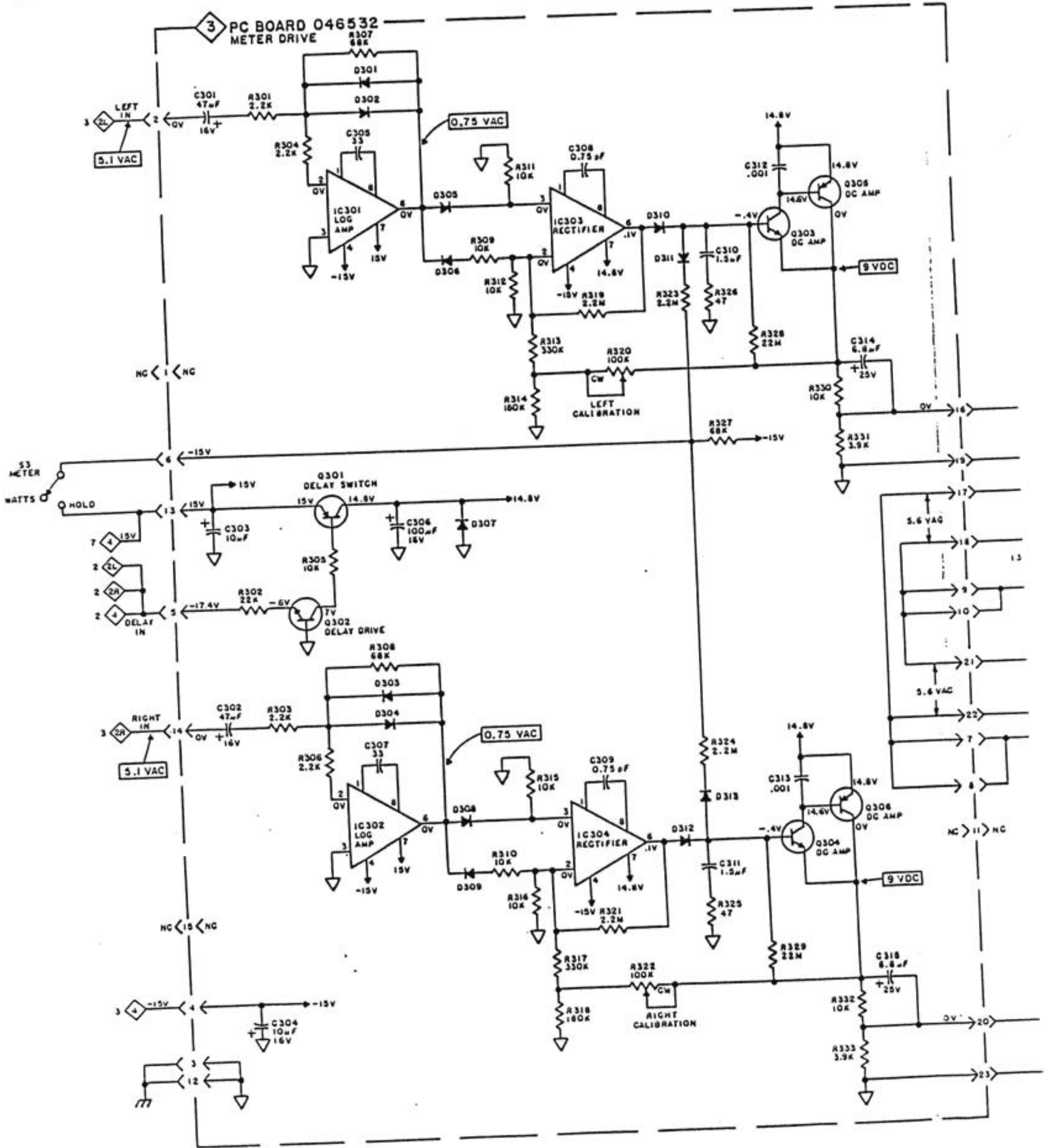
JUNCTION PCB 045724

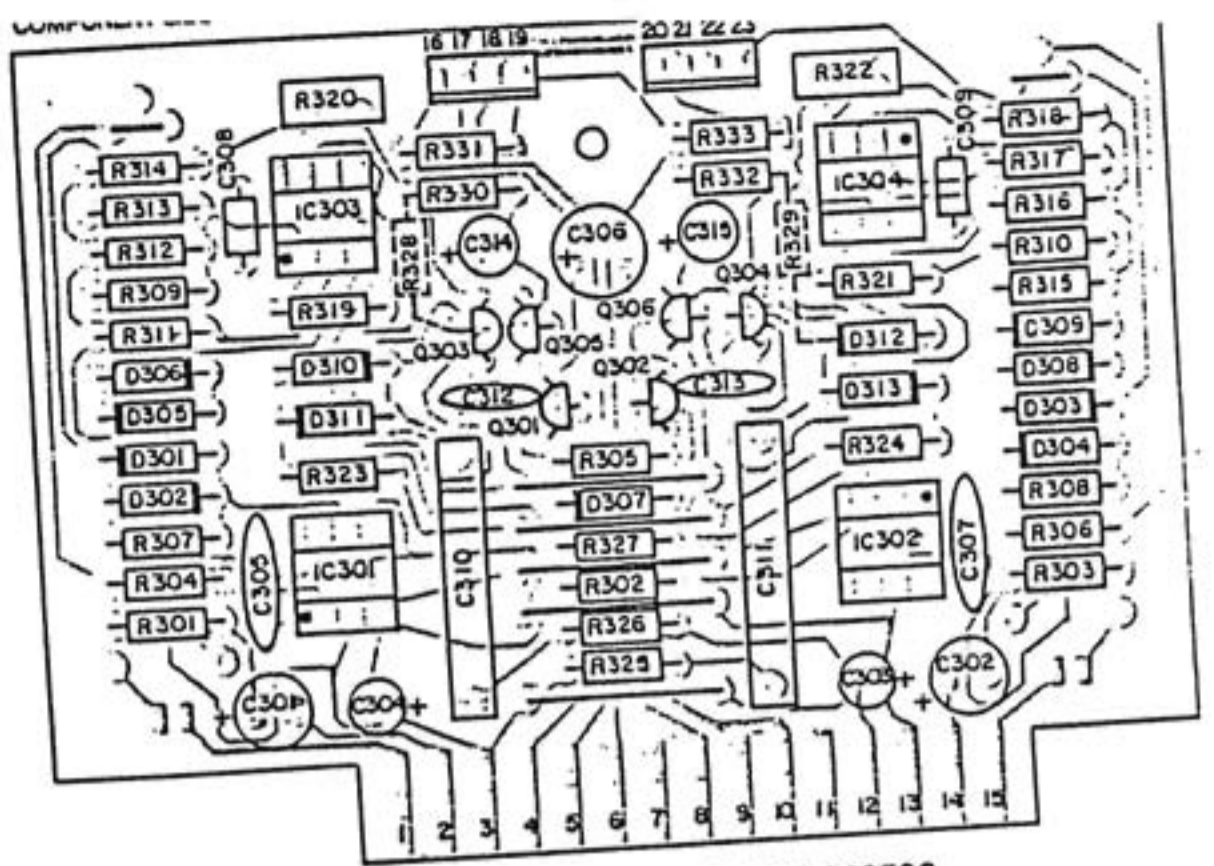
AMPLIFIER PARTS LIST

Symbol No.	Part No.	Description
DIODES		
D201-D203	070047	SIG, 75V, 10mA, 1N4148
D204, D205	070031	RECT, 400V, 1.5A, 1N4820
INTEGRATED CIRCUITS		
IC201	133094	Dual Operational Amp, NE5532N
TRANSISTORS		
Q201	132223	NPN, MPS4124
Q202	132222	N, FET, J108
Q203-Q205	132235	NPN, 2SC-2240-BL
Q206	132056	PNP, 2N5087
Q207	132223	NPN, MPS4124
Q208	132056	PNP, 2N5087
Q209	132224	PNP, MPS4126
Q210	132223	NPN, MPS4124
Q211	132234	PNP, 2SA 1360
Q212	132224	PNP, MPS4126
Q213	132223	NPN, MPS4124
Q214	132233	NPN, 2SC3423
Q215	132223	NPN, MPS4124
Q216	132224	PNP, MPS4126
Q217	132229	NPN, MJ15018
Q218	132090	NPN, DAR, Selected MPSA14
Q219	132230	PNP, MJ15019
Q220	132188	NPN
Q221	132189	PNP
Q222	132188	NPN
Q223	132189	PNP
Q224	132188	NPN
Q225	132189	PNP

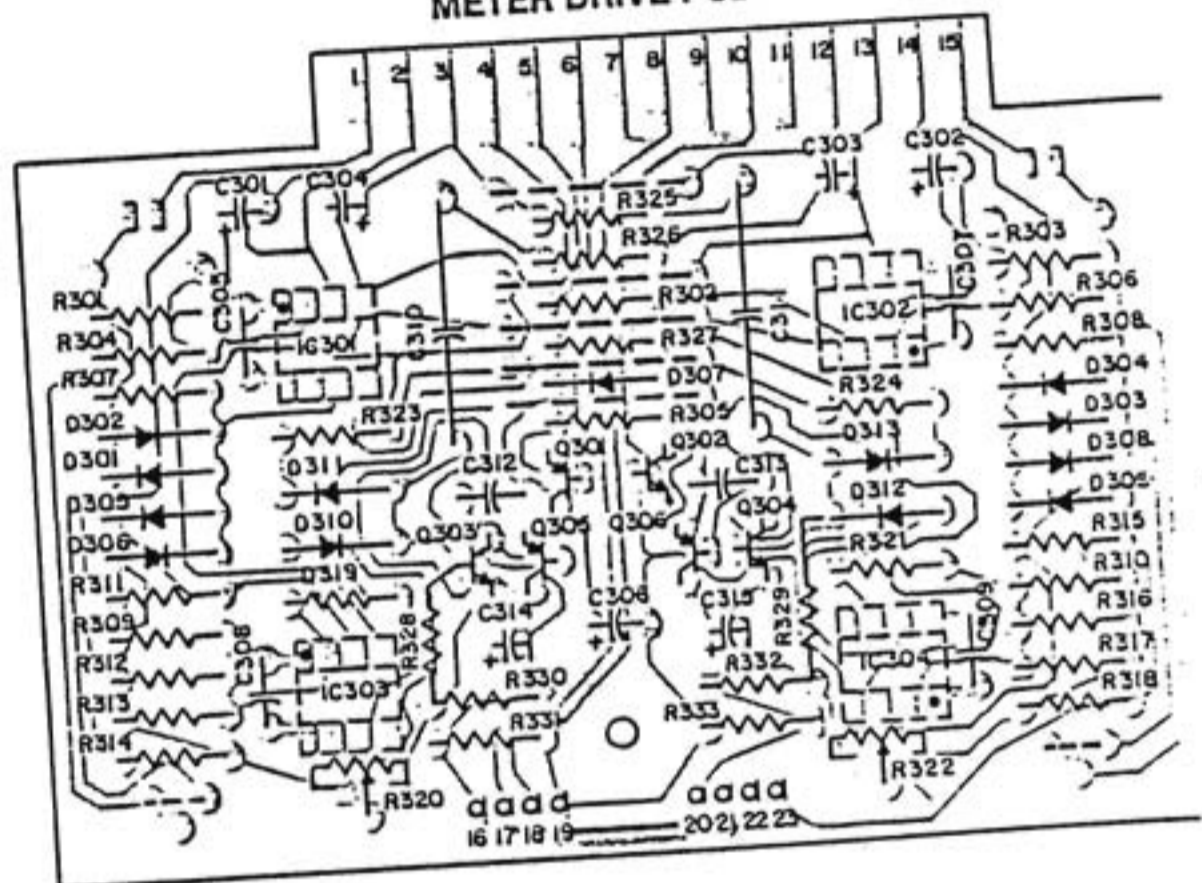
3

Meter Drive and Illumination

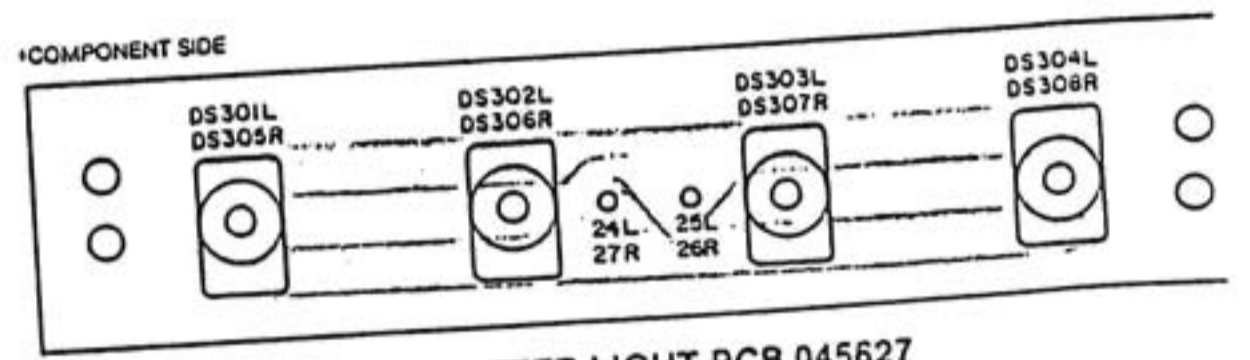




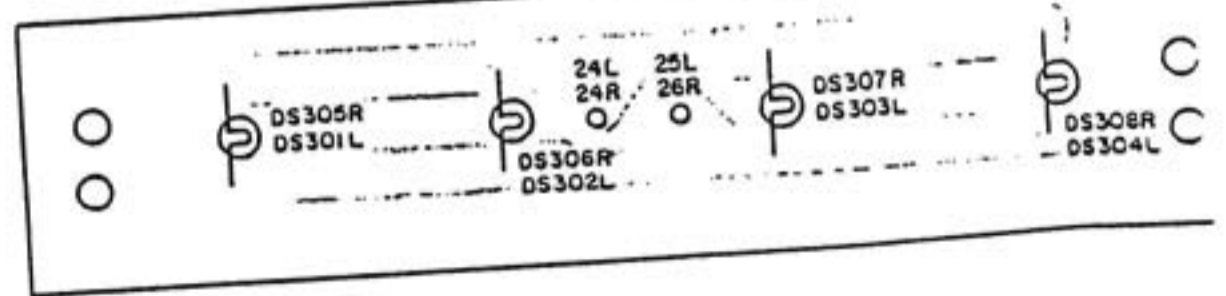
METER DRIVE PCB 046532



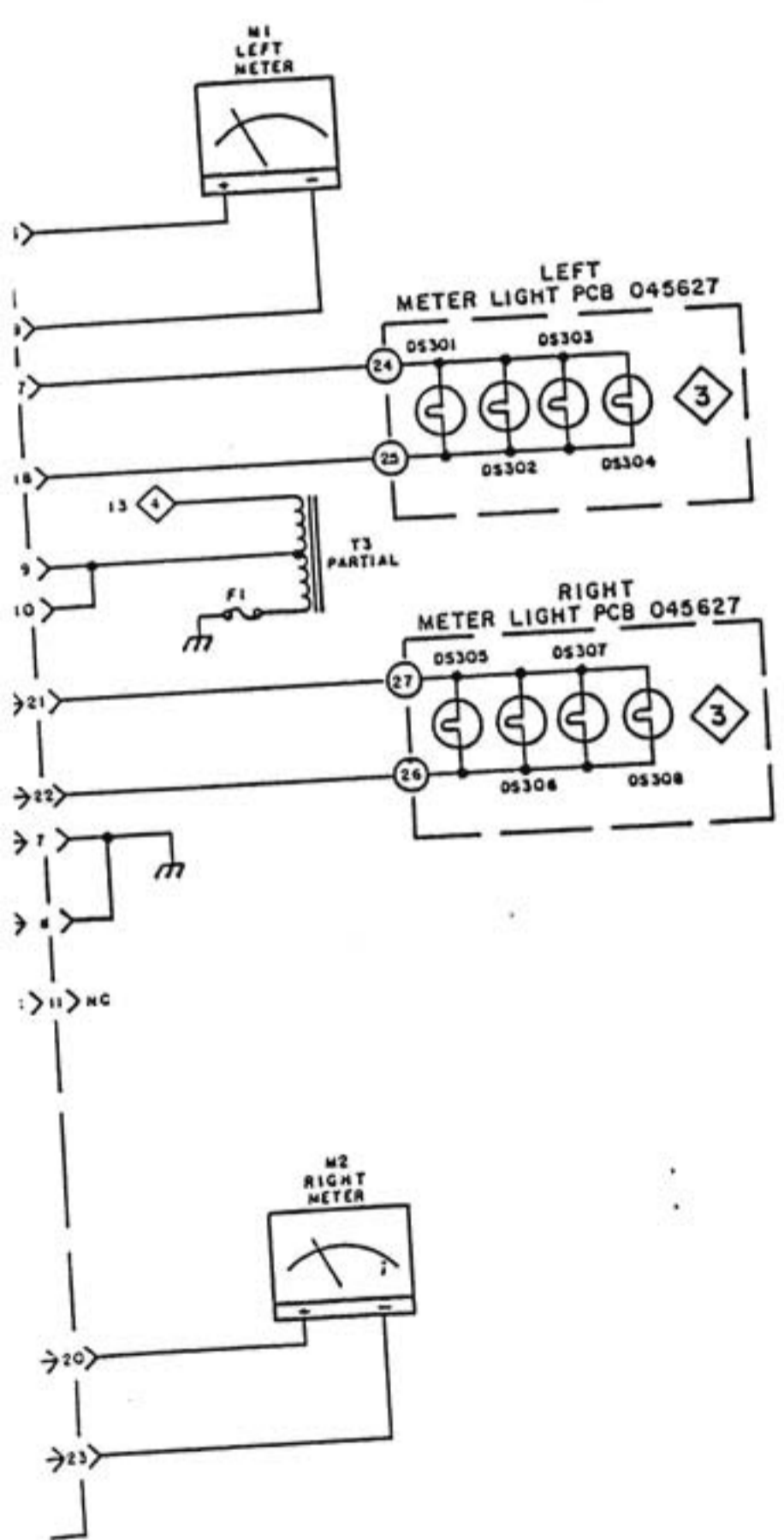
CIRCUIT SIDE



METER LIGHT PCB 045627



CIRCUIT SIDE



METER DRIVE AND ILLUMINATION PARTS LIST

Symbol No.	Part No.	Description
DIODES		
Q301-Q313	070047	SIG, 75V, 10mA, 1N4148
LIGHTING DEVICES		
DS301-DS308	058055	INC, 6.3V, GE259
INTEGRATED CIRCUITS		
IC301-IC304	133068	Operational Amp, LM201AN
TRANSISTORS		
Q301, Q302	132224	PNP, MPS4126
Q303, Q304	132093	NPN, BC239C
Q305, Q306	132056	PNP, 2N5087



IC301-IC304



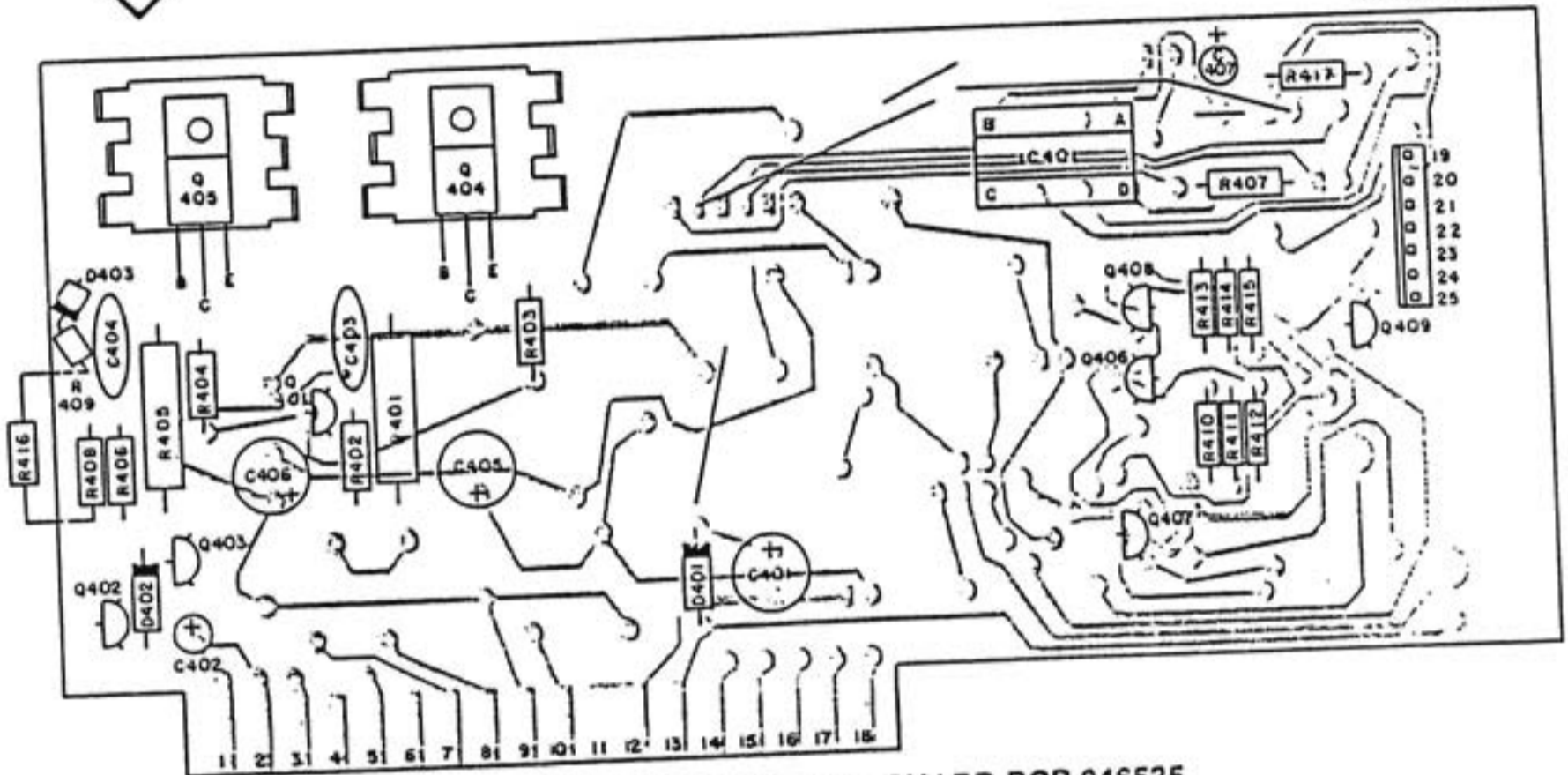
Q301, Q302
Q305, Q306



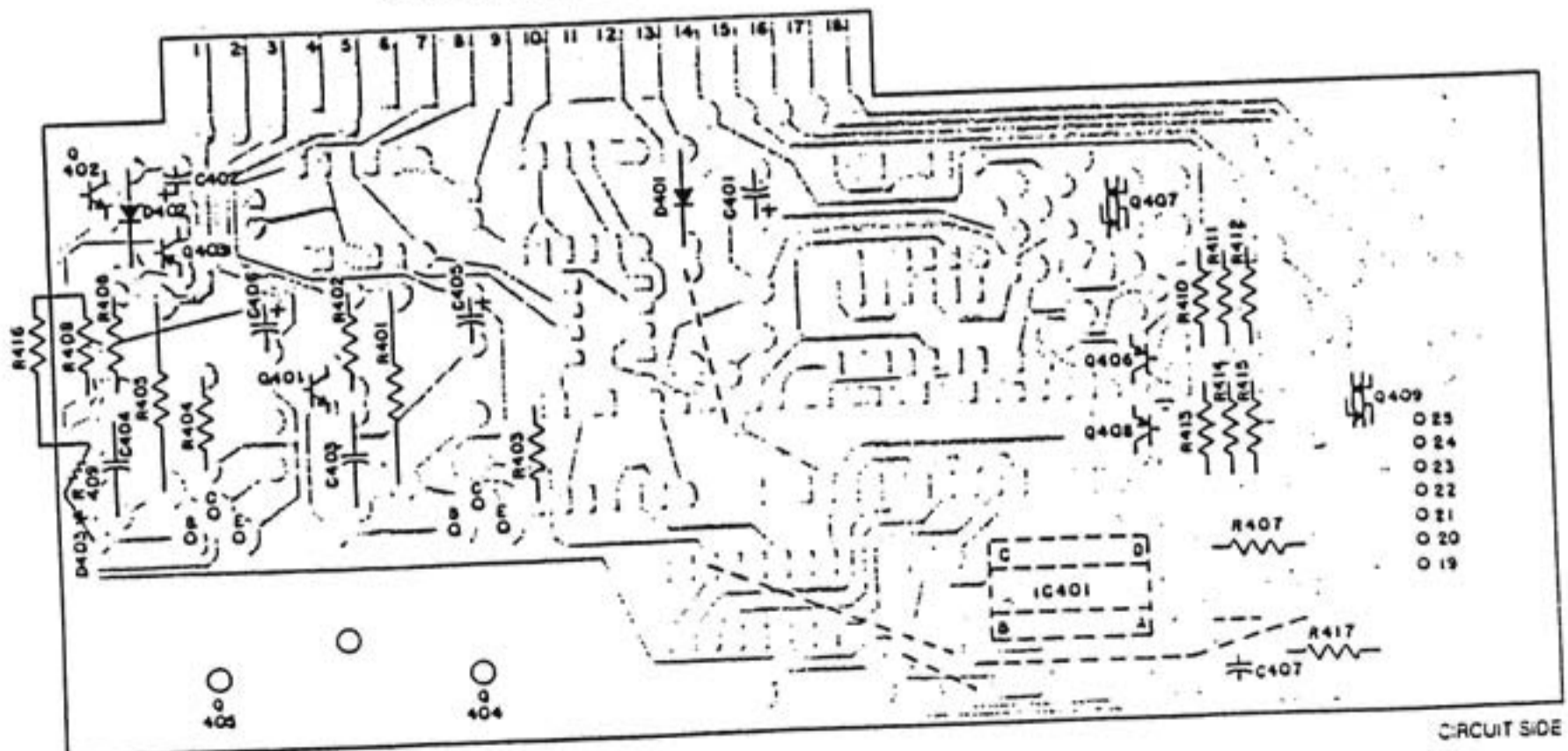
Q303, Q304



COMPONENT SIDE



POWER SUPPLY AND POWER GUARD PCB 046535

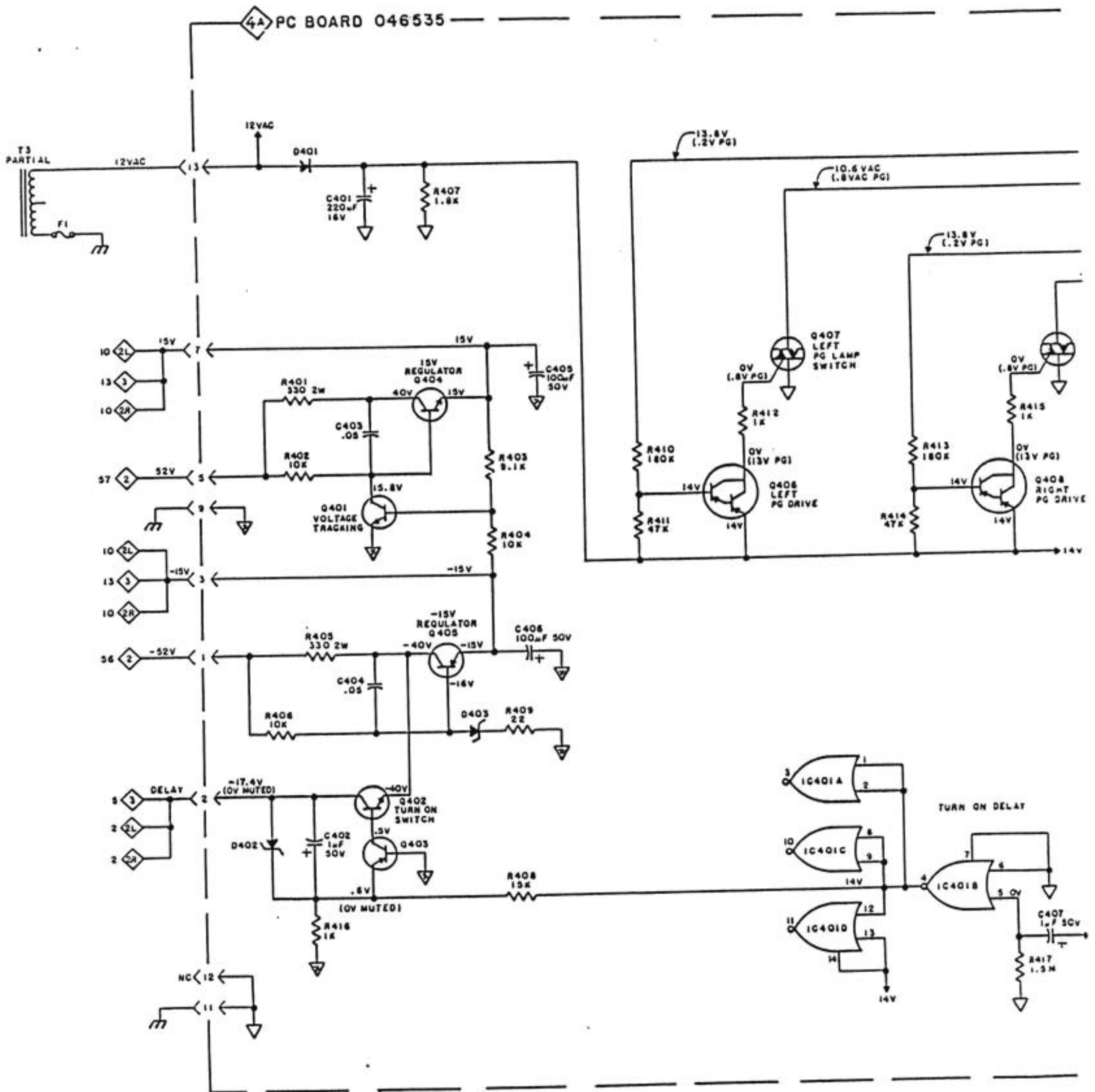


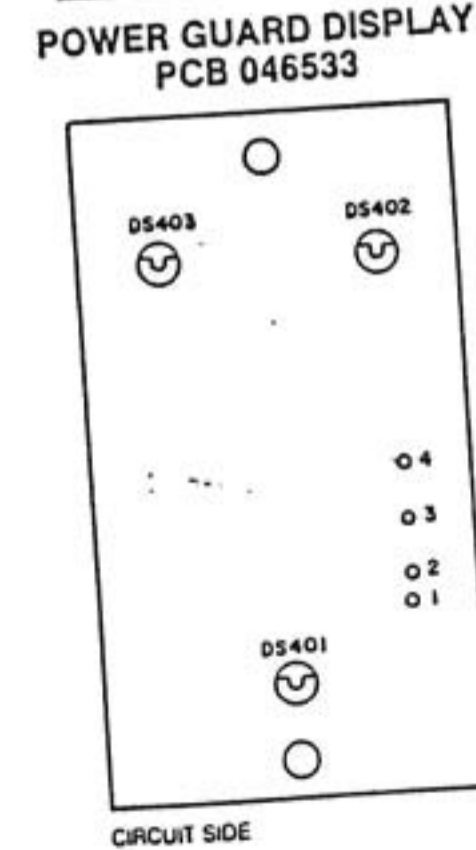
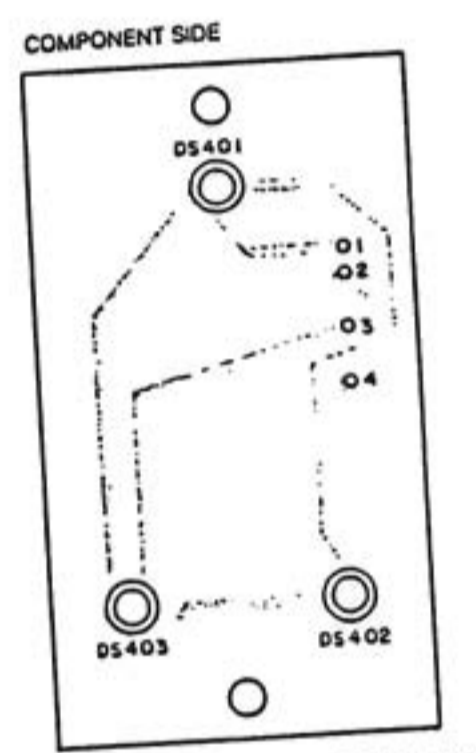
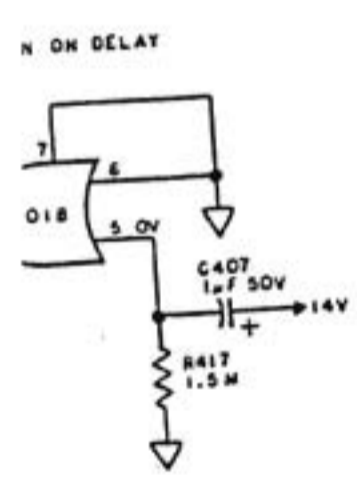
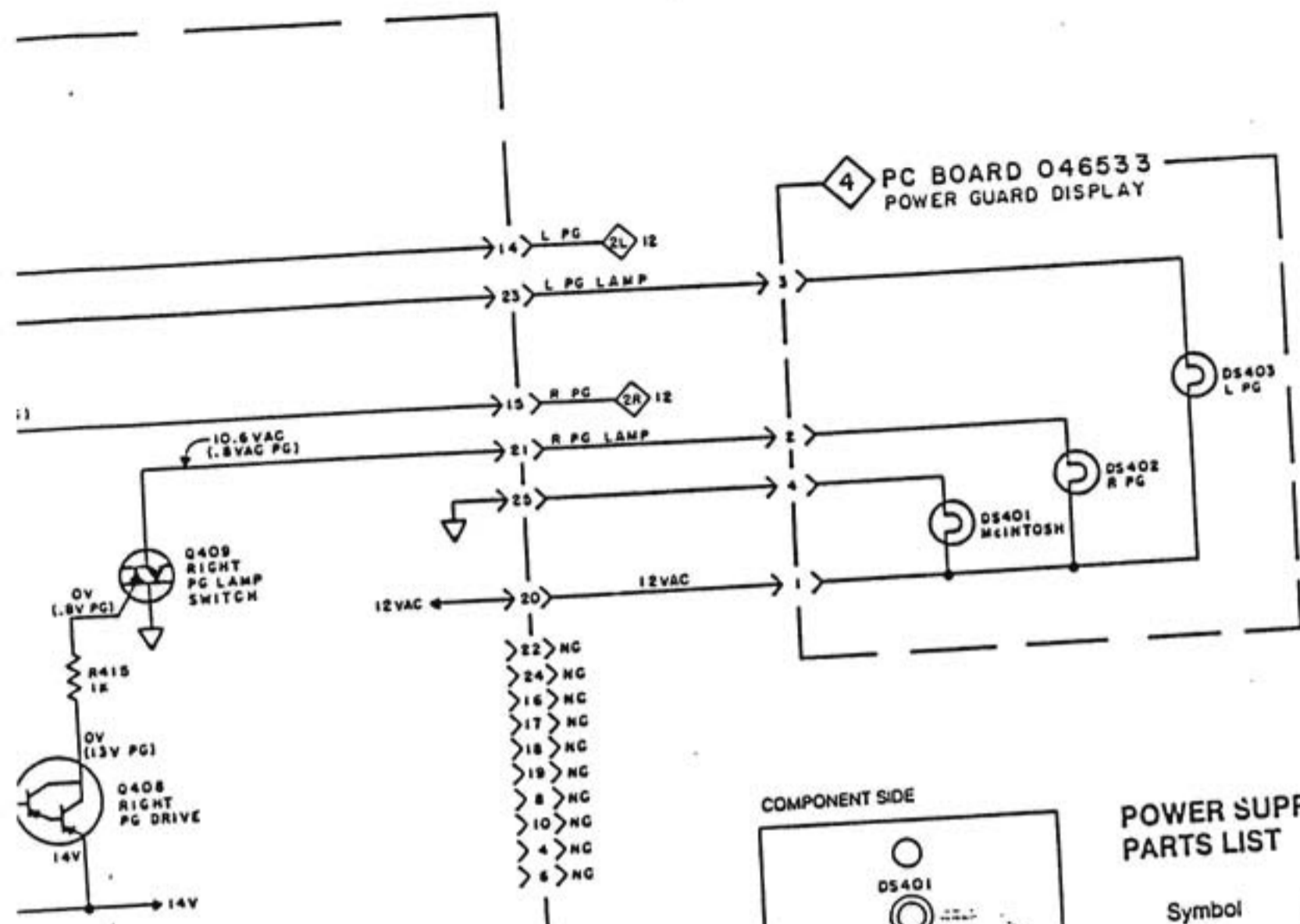
CIRCUIT SIDE

Power Supply and Power Guard

(serial number EA1001 to EA1499)

4A





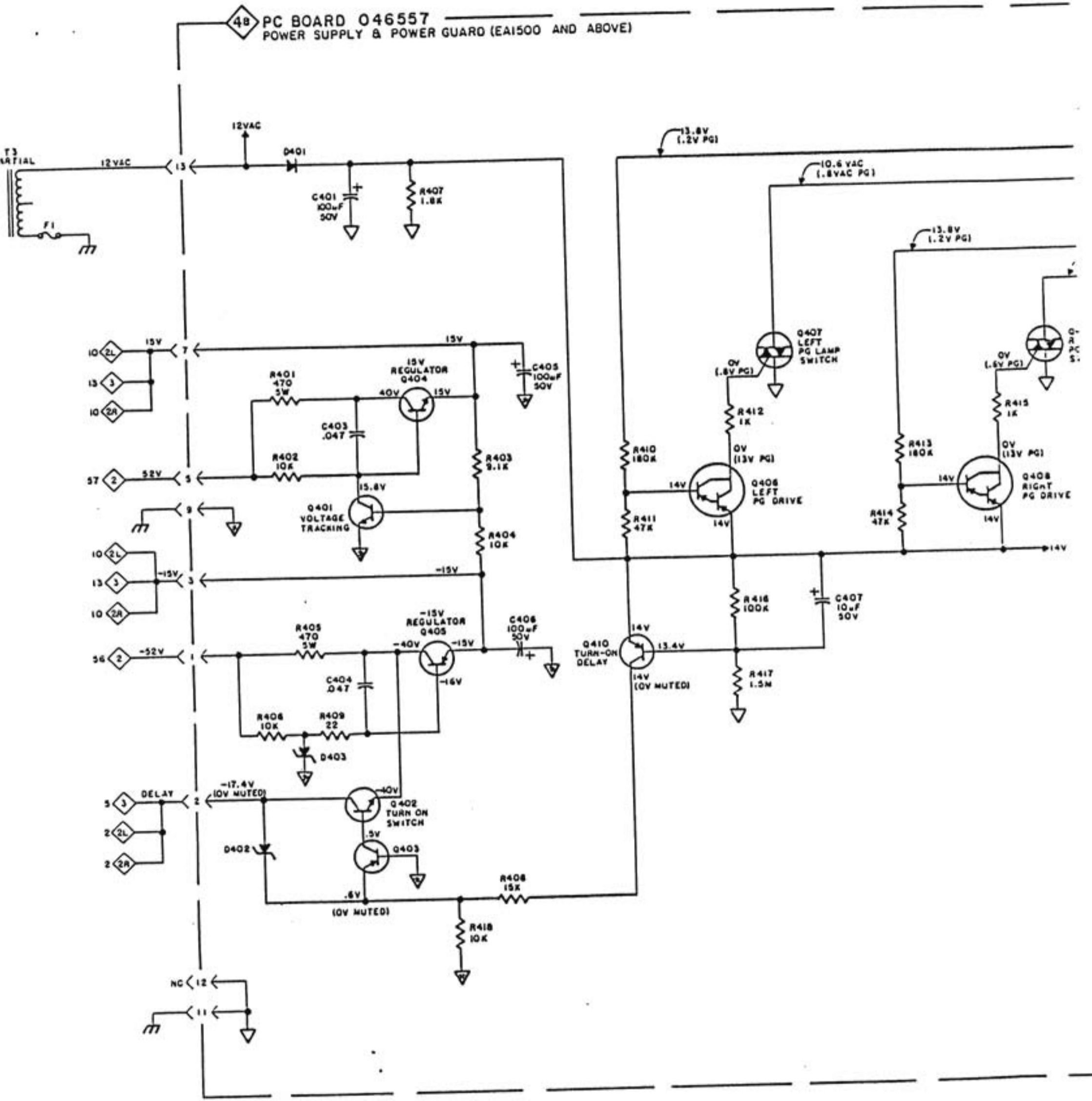
POWER SUPPLY AND POWER GUARD PARTS LIST

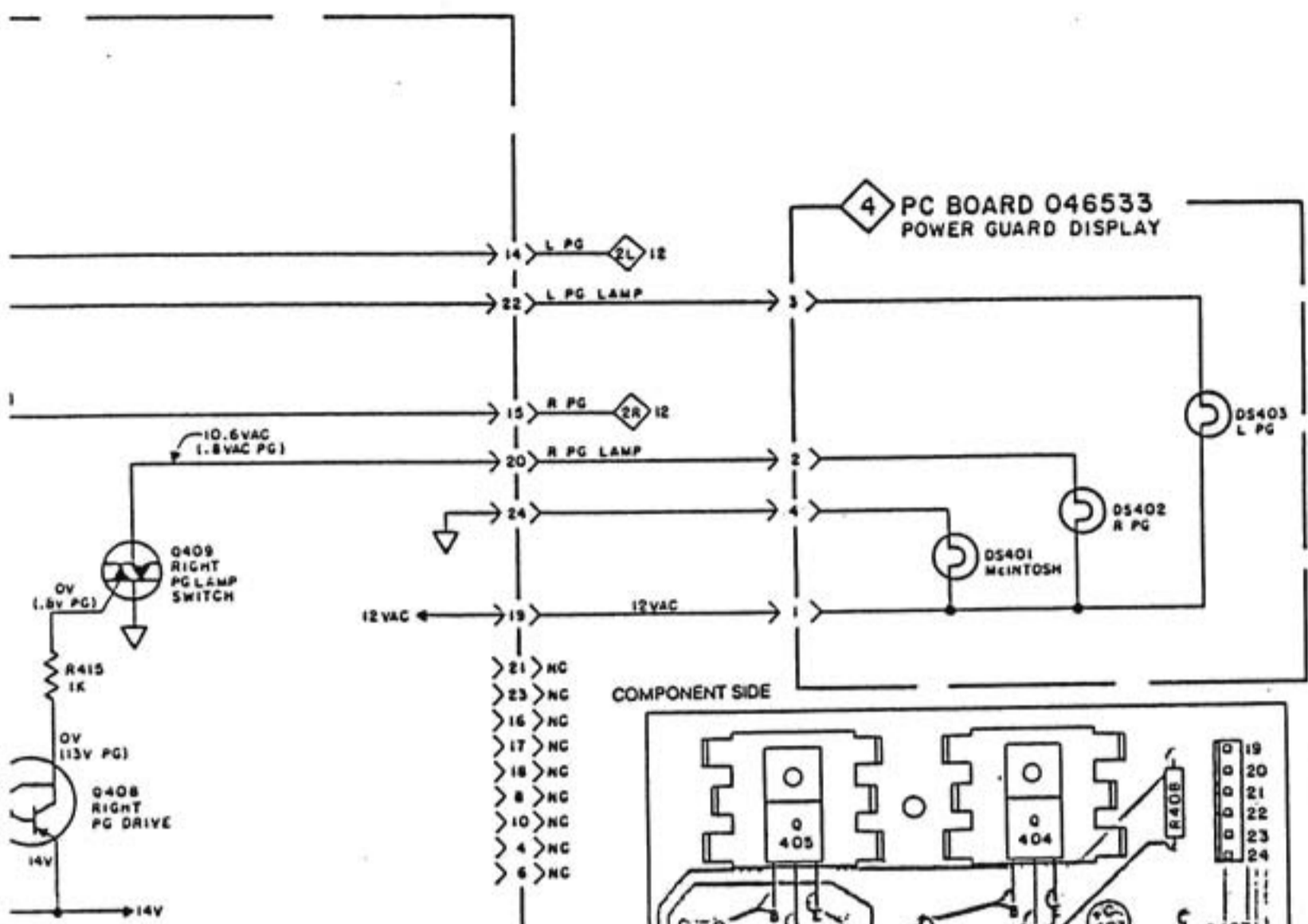
Symbol No.	Part No.	Description
DIODES		
D401	070031	RECT, 400V, 1.5A, 1N4820
D402	070103	ZN, 18V, 5%, 500mW, 1N5248B
D403	070114	ZN, 16V, 5%, 500mW, 1N5246B
LIGHTING DEVICES		
DS401-DS403	058061	INC, 14V, 7382
INTEGRATED CIRCUITS		
IC401	133064	CMOS, Quad 2-Input NOR Gate
TRANSISTORS		
Q401	132223	NPN, MPS4124
Q402	132171	NPN, MPSA05
Q403	132147	PNP, MPSA93
Q404	132174	NPN, Selected MJE3055
Q405	132173	PNP, Selected MJE2955
Q406	132182	PNP, DAR, MPSA64
Q407	131011	Triac, MAC91A-1
Q408	132182	PNP, DAR, MPSA64
Q409	131011	Triac, MAC91A-1

4B

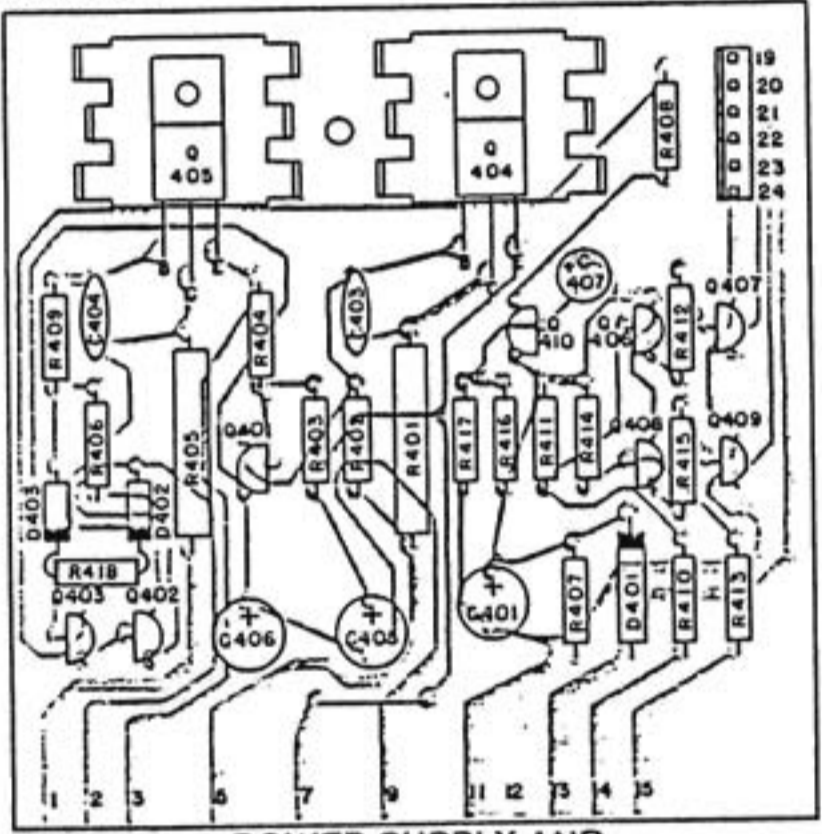
Power Supply and Power Guard

(serial number EA1500 and above)

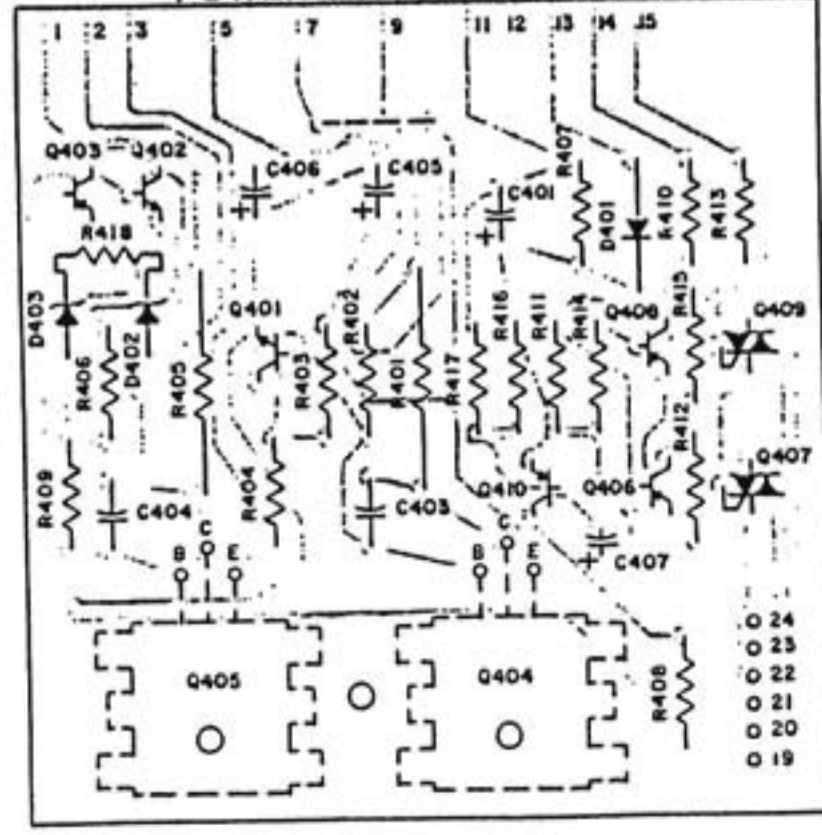




COMPONENT SIDE

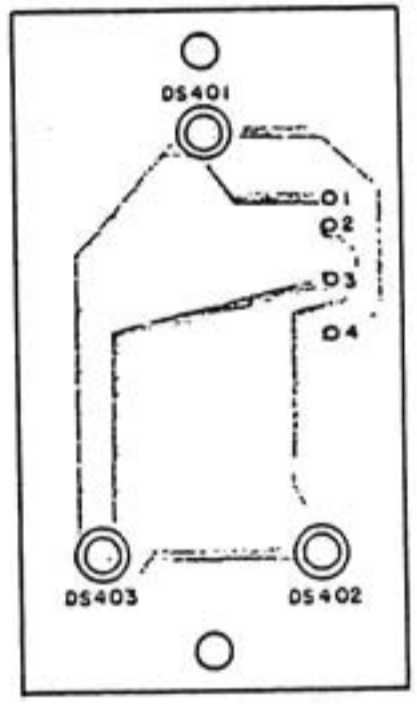


POWER SUPPLY AND
POWER GUARD PCB 046557

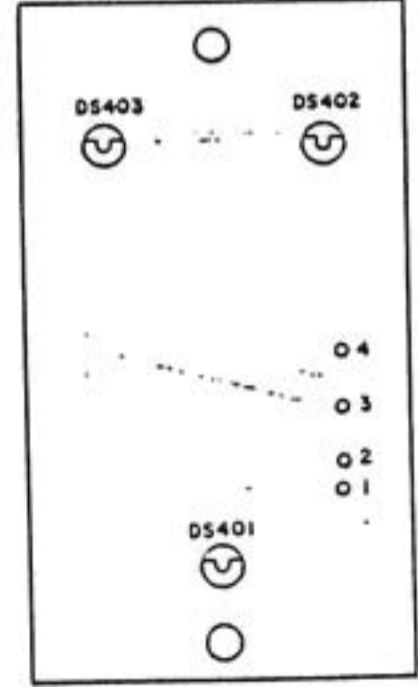


CIRCUIT SIDE

COMPONENT SIDE



POWER GUARD
DISPLAY
PCB 046533



CIRCUIT SIDE



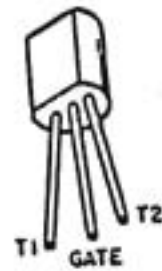
Q401, Q402
Q406, Q408, Q410

**POWER SUPPLY AND POWER GUARD
PARTS LIST**

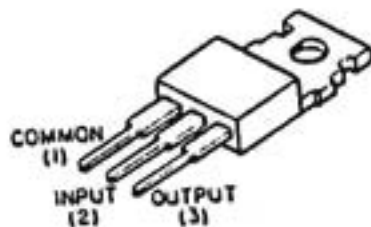
Symbol No.	Part No.	Description
DIODES		
D401	070131	RECT, 400V, 1A, 1N4004
D402	070103	ZN, 18V, 5%, 500mW, 1N5248B
D403	070114	ZN, 16V, 5%, 500mW
LIGHTING DEVICES		
DS401-DS403	058061	INC, 14V, 7382
TRANSISTORS		
Q401	132223	NPN, MPS4124
Q402	132171	NPN, MPSA05
Q403	132236	PNP, 25A 970-BL
Q404	132227	NPN, TIP41B
Q405	132228	PNP, TIP42B
Q406	132182	PNP, DAR, MPSA64
Q407	131011	Triac, MAC91A-1
Q408	132182	PNP, DAR, MPSA64
Q409	131011	Triac, MAC91A-1
Q410	132224	PNP, MPS4126



Q403



Q407, Q410



Q404, Q405

METER CALIBRATION

Operate the amplifier at 1kHz with rated output into an 8 ohm load. Adjust both calibration pots, R320 left and R322 right, so that each meter reads 270 watts.

OFFSET ADJUSTMENT

Operate the amplifier with no signal output. Adjust R216 in both channels (or R220 on the earlier schematic) for zero ± 3 millivolts DC across the 8 ohm outputs.

BIAS ADJUSTMENT

Operate the amplifier with no signal output and the heatsinks cool. Adjust R243 in both channels (or R253 on the earlier schematic) for 5 ± 1 millivolts DC across pins 14 and 18 of the amplifier PCB.

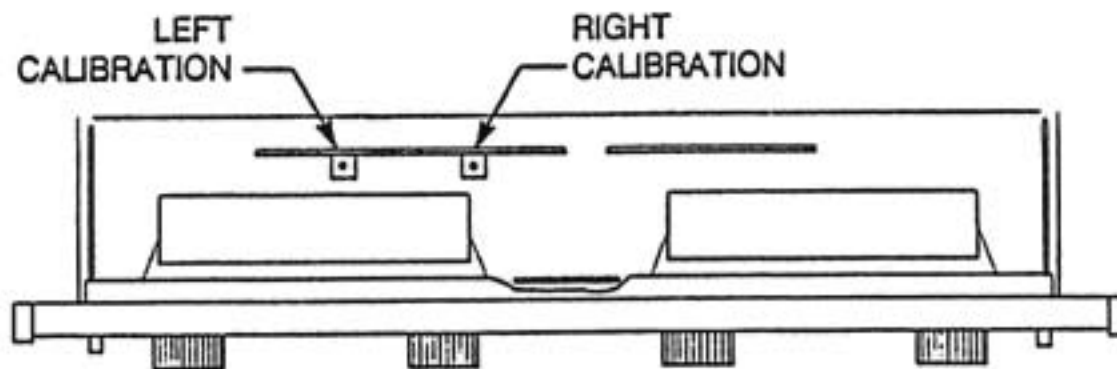


Fig. 6. Partial top view with cover removed

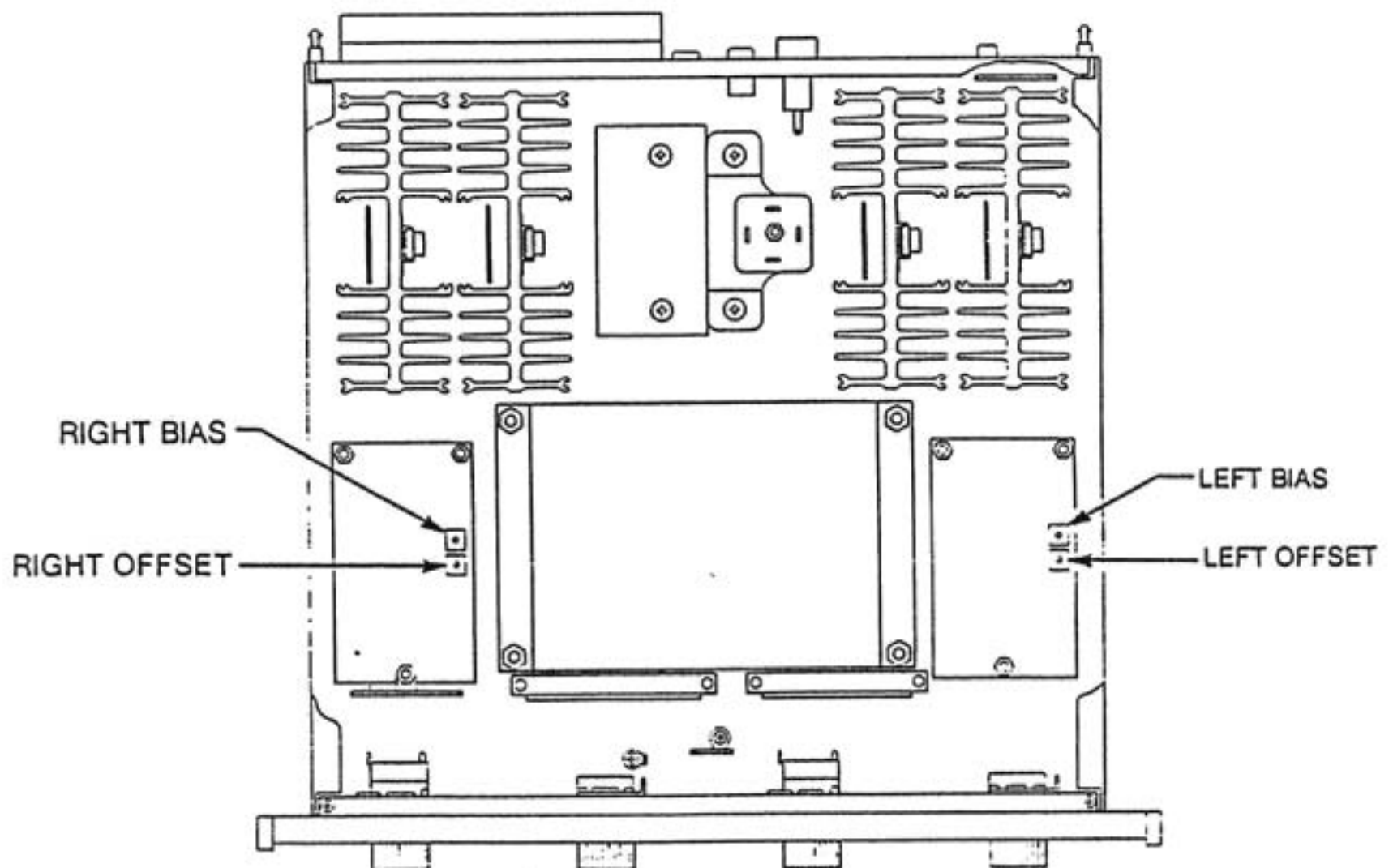


Fig. 7. Bottom view with cover removed

Repacking Instructions

In the event it is necessary to return the MC 7270 to McIntosh Laboratory for service, the unit must be packed exactly as shown below. It is not necessary to return the shelf brackets, although their position in the carton is shown.

The four plastic feet must be attached to the bottom of the MC 7270 so they will locate in the four holes of the base pad.

If a shipping carton is needed, please call or write the Customer Service Department of McIntosh Laboratory. Order using the part numbers on the accompanying list.

Use the original shipping carton only if all pads and cartons are in good serviceable condition.

QTY.	PART NO.	DESCRIPTION
1	033467	Shipping carton only
1	033335	Panloc pad
1	033336	Top pad
1	033465	Bottom pad
4	033346	Corner post
4	033086	12" x 18" Air-cushion pad
2	033087	18" x 36" Air-cushion pad
1	033241	Shipping skid
3	101034	#10 x 2 screw for 033241
3	104033	#10 flat washer for 101034
4	017218	Bottom cover feet
4	101072	#8 x 3/4" screw for 017218
1	033344	Inside carton only
1	033519	Shipping carton complete

